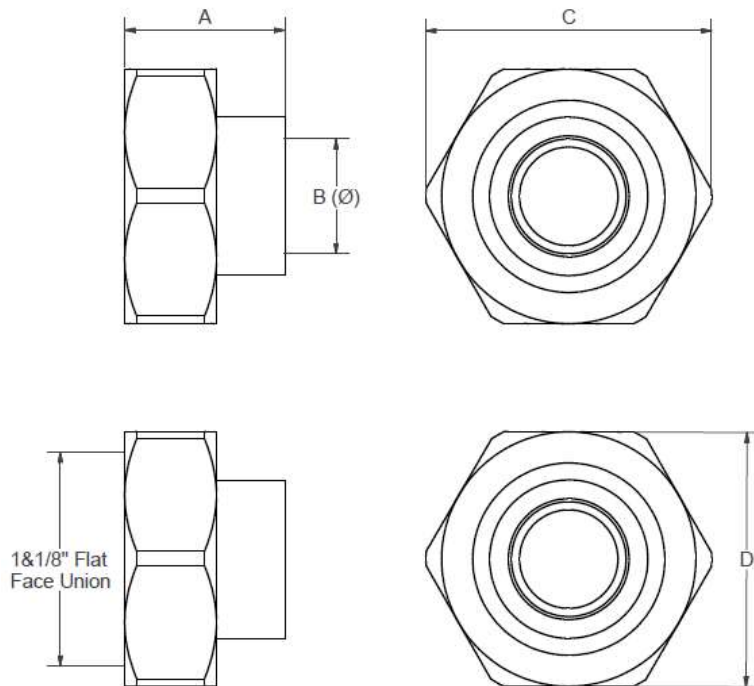



**DESCRIPTION**

## XTEFK-7B4

Pair of 1 1/8" union to 1/2" Female BSP, with green FKM o ring.

Compatible for use on all Pettinaroli UK 70mm bypass assemblies (mains side)

**DIMENSIONS**


<b>A</b>	27
<b>B</b>	1/2" Female BSP
<b>C</b>	47
<b>D</b>	42
<b>Weight [g]</b>	TBC

Dimensions in mm

**MATERIALS**

**Body** CW617N (EN 12165) CuZn40Pb2

**Nut** CW617N (EN 12165) CuZn40Pb2

**O Ring** FKM

**RECOMMENDED WORKING TEMPERATURE/PRESSURE LIMIT**

30 bar – 100°C – non shock

Max closing torque: 40 Nm (cone 60° BS5200)