

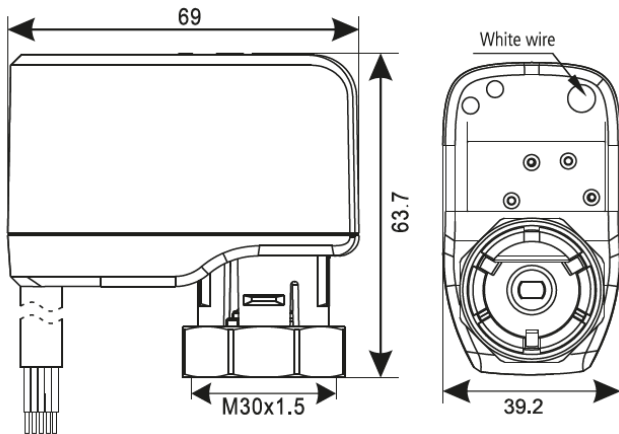
DESCRIPTION

VT19203

100-240V electromotive floating (3 points) or ON/OFF (2 points) actuator to drive pressure independent control valve - PICV. Max stroke 9 mm; nominal force 200 N. Suitable for all axial Pettinaroli PICV (**91**, **92** and **93**). Connection M30x1.5, adapted to Pettinaroli standards through **0A7010** (not included). Suitable for standard control valves **662-663-664** without adapter.



DIMENSIONS



Dimensions in mm

TECHNICAL FEATURES

Type	Floating and On/Off	Max ambient temperature	-20° / + 50° C ^(@)
Supply voltage	100-240 V AC 50-60 Hz	Degree of protection	IP54
Control signal	2pt or 3pt	Weight	165 g
Power consumption	2 W (0.2 W stand-by)	Colour	Blue
Max starting current	0.1 A	Noise level	39 dB
Max stroke	9 mm	Connection cable	3 x 0.5 mm ²
Actuating force	200N	Cable length (with halogen)	55 cm
Running time	12 sec/mm	Adaptor/ring	0A7010 (not included)

(@) non condensing

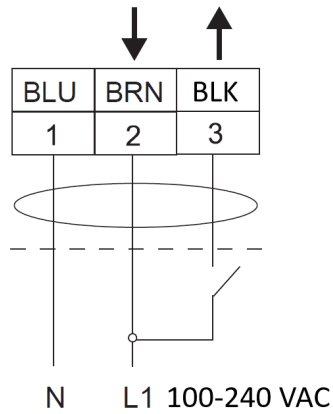
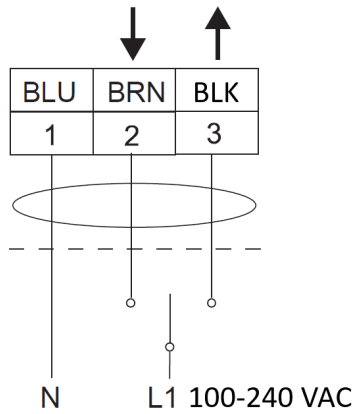
The electromotive actuator **VT19203** is widely employed to drive in proportional mode pressure independent control valves PICV controlling heating and cooling systems by means of BMS (Building Management System) or suitable room thermostat. Electrical connection is discussed in the following section.

APPROVALS



Pettinaroli UK - Riverside, Unit K Austin Way Hamstead Industrial Estate Birmingham B42 1DU - UK

ELECTRICAL CONNECTION



OPERATING STATUS INDICATION

The electromotive actuator **VT19203** has a red positioning indicator on the actuator support. It is visible over 250°.

INSTALLATION

For electrical safety reasons the **VT19203** electromotive actuator has to be installed between horizontals. Please avoid any upside down installation. Always install the actuator with the pin in fully retracted position.

Do not power the actuator if not installed on the valve.

Tighten the connecting ring by hand only.

Keep 20 cm clear over the actuator to access it, if required.