

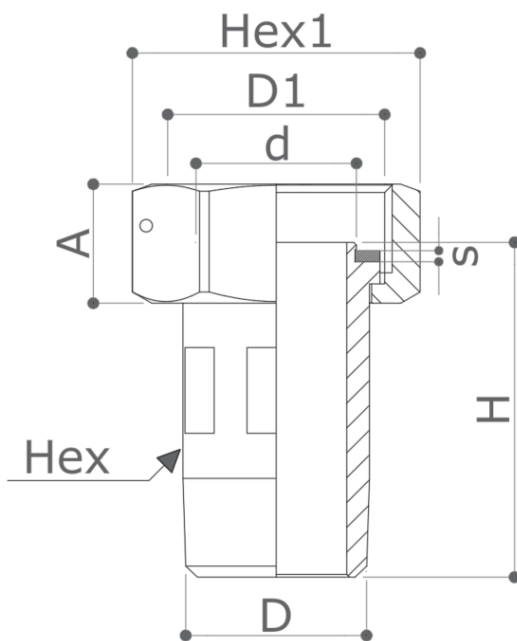


DESCRIPTION

701CR

Water meter union connection. With gasket

DIMENSIONS



D	½"	¾"	1"	1 ¼"	1 ½"	2"
D1	¾"	1"	1 ¼"	1 ½"	2"	2 ½"
A	15	18	22	22	23.5	30
H	39.5	50	60.5	60.5	67	72
Hex	19	24	32	38	44.5	56.5
Hex1	30	37	46	53	65	80
d	16.5	23	29	36	43	59
s	2	3	2	3	3	3
Weight [g]	90	150	270	390	510	775

Dimensions in mm

All threads are conformed to EN 10226-1 standard

MATERIALS

- Nut** CW617N (EN 12165) CuZn40Pb2
- Union** CW602N (EN 12167) CuZn36Pb2As
- Gasket** NBR (½", 1", 1 ¼", 1 ½" and 2") – EPDM (¾")

RECOMMENDED WORKING TEMPERATURE/PRESSURE LIMIT

10 bar – 90°C – non shock