

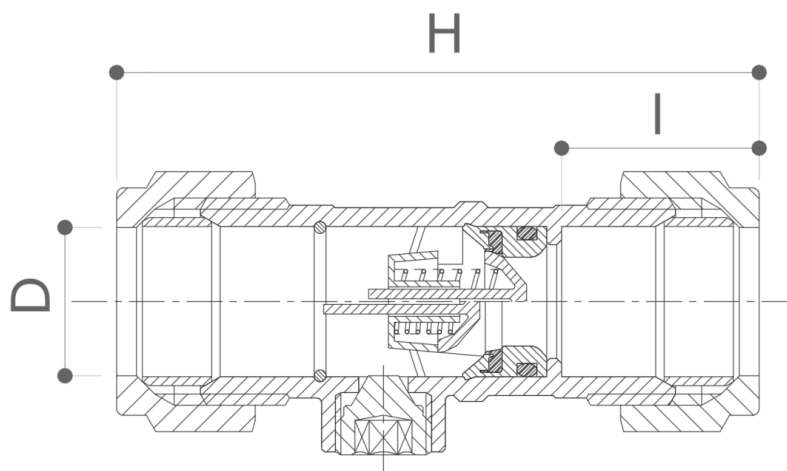


DESCRIPTION

188CRM

Non return valve made of non dezincifiable brass alloy to BS 6282/1
 Compression ends to BS 864.2

DIMENSIONS



D [mm]	12	15	22	28	35	42	54
H	65.5	65	75	89	101	114	136
I	11.5	11.5	13.5	16	18	20	22
g	130	110	180	280	410	600	910

Dimensions in **mm**
 All threads are in accordance with ISO 7/1 or ISO 228

MATERIALS

Body	Cw602N CuZn36Pb2As	Compression nut	Cw602N CuZn36Pb2As
Cap*	Cw602N CuZn36Pb2As	Compression ring	Cw602N CuZn36Pb2As
Non return valve	Ocean non return valve type "10"	Stop ring**	Cw602N CuZn36Pb2As

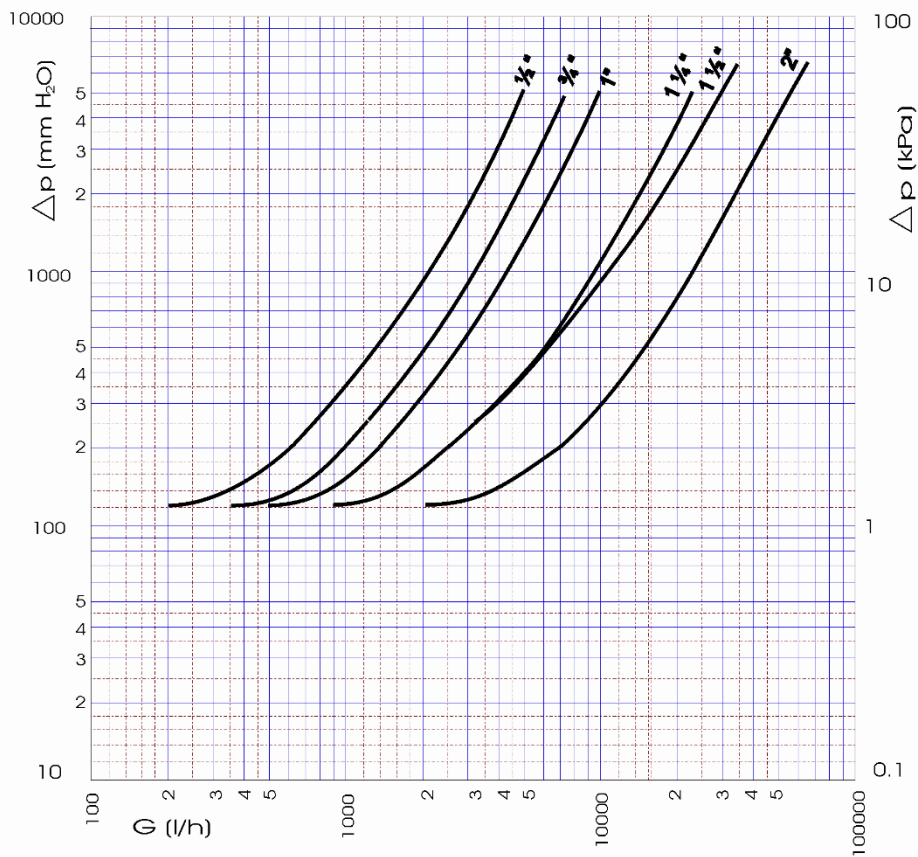
*Cap for check point **only for size 15 mm

APPROVALS



Approval number:
03/001622

PRESSURE DROP DIAGRAM



Dim.	1/2"	3/4"	1"	1 1/4"	1 1/2"	2"
Kv	5.5	10	15	30	43	80

RECOMMENDED WORKING TEMPERATURE/PRESSURE LIMITS

16 bar - 30°C - non shock
 6 bar - 100°C - non shock