



DESCRIPTION

**XT4NT**

40 mm by-pass ball valve with double ball and **high by-pass Kv for flushing**.

DN15 full bore balls and connections  $\frac{3}{4}$ " M x  $\frac{3}{4}$ " M Euroconus. Equipped with **plate** to identify the position of the valve.

M6 thread on the side cap and corrosion resistant body (**DZR brass**).

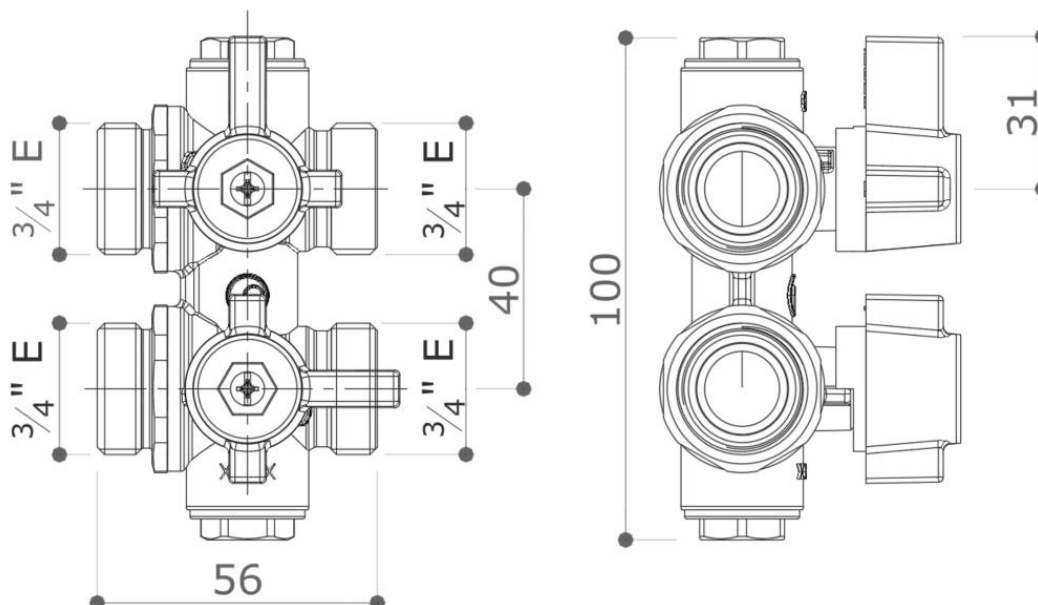
Balls can rotate 180° allowing **full closed position**.

**Symmetrical construction:** suitable for right-handed and left-handed assemblies.

Suitable for **back flush** or **forward flush** according to PICV mounting position (forward flush if PICV is on the return, backflush if the PICV is on the supply). T shape balls prevent reverse flushing through the PICV.

**WARNING:** make sure the water never flows through the PICV against the flow direction indicated by the arrow on the valve body.

DIMENSIONS



Weight: 470 g

Dimensions in **mm**.

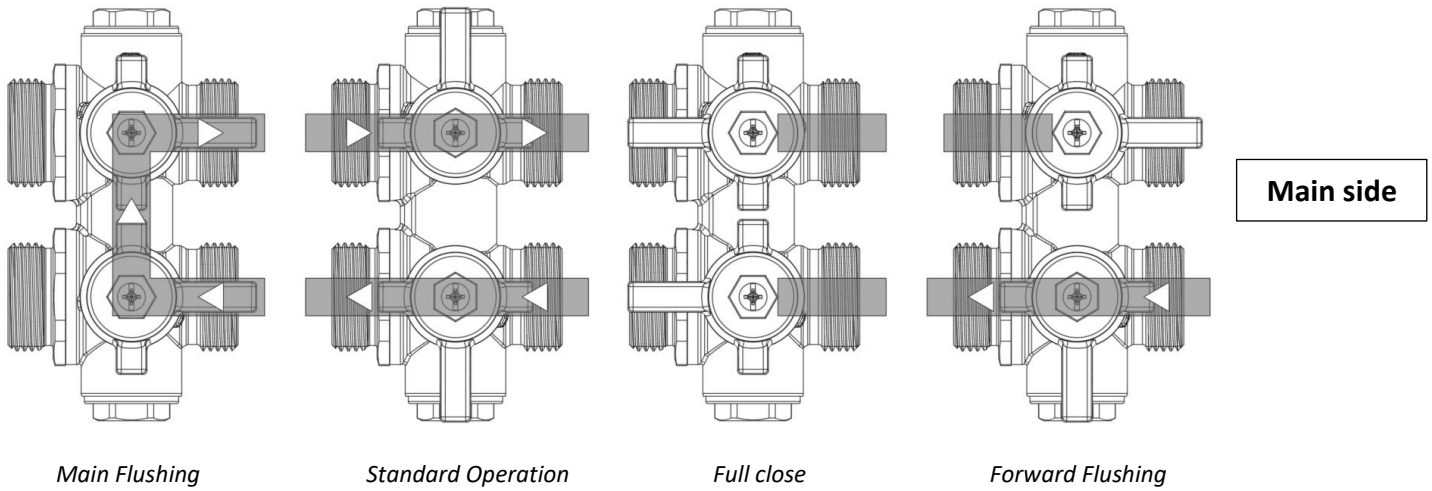
All threads are conform to EN 228-1 standard.

MATERIALS

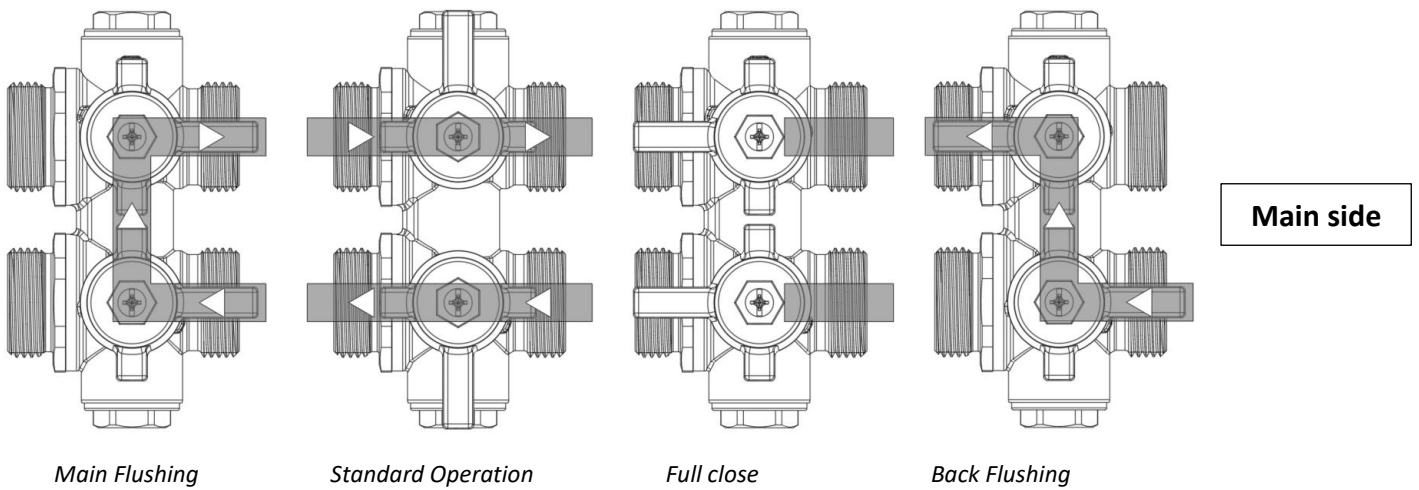
<b>Body</b>	CW602N (EN 12167) CuZn36Pb2As
<b>Ball</b>	CW614N (EN 12164) CuZn39Pb3 T.E.A.
<b>Stem</b>	CW614N (EN 12164) CuZn39Pb3
<b>Seat</b>	4 x PTFE
<b>O-Rings</b>	2 x FKM
<b>Lever</b>	Alluminium
<b>Position plate</b>	Coated steel

OPERATING MODELS

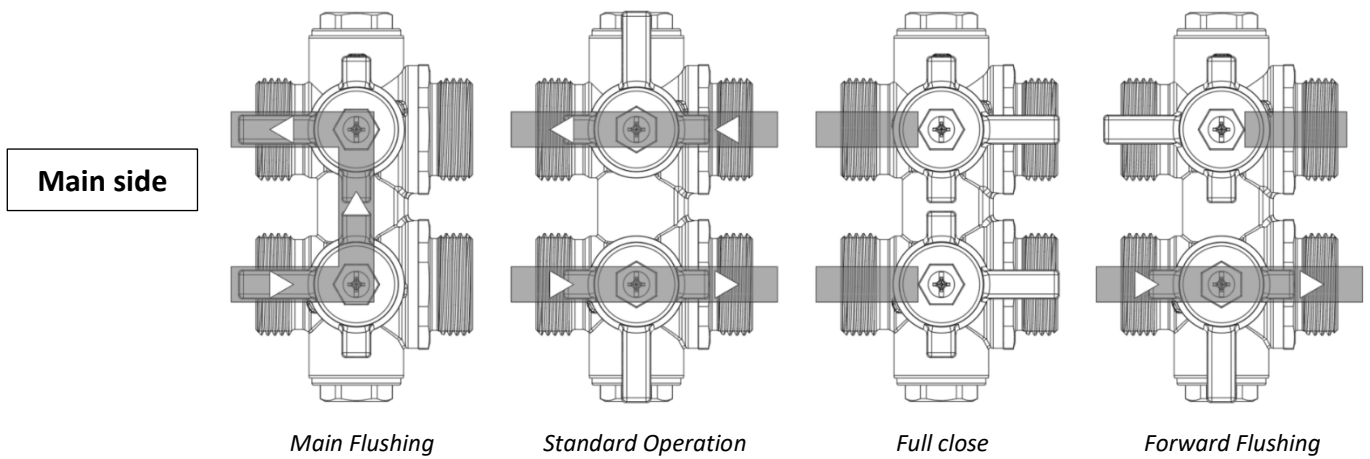
Left handed assembly – PICV on return



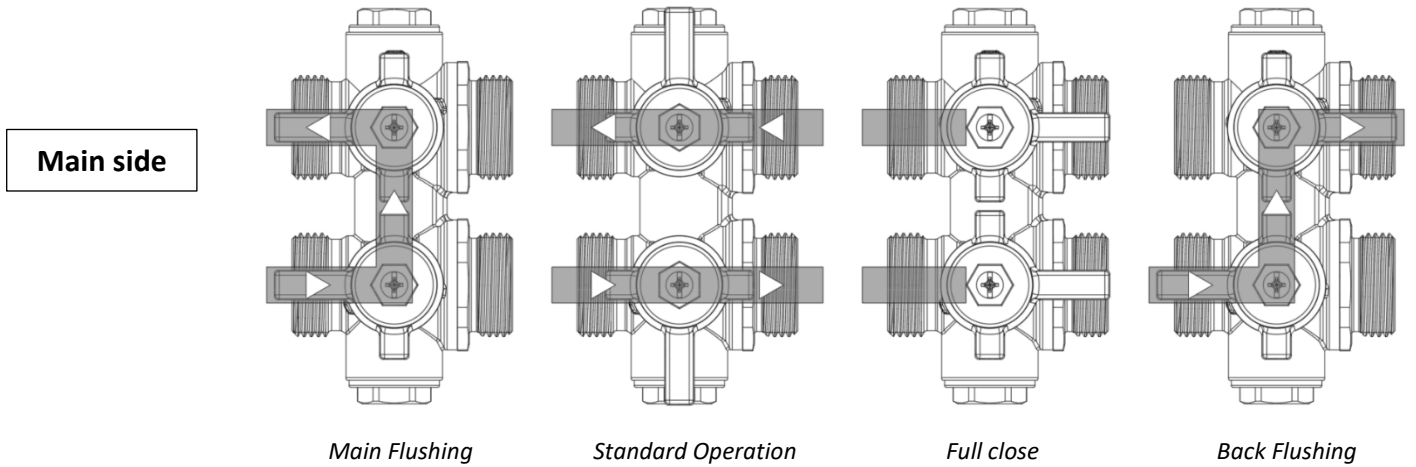
Left-handed assembly – PICV on supply



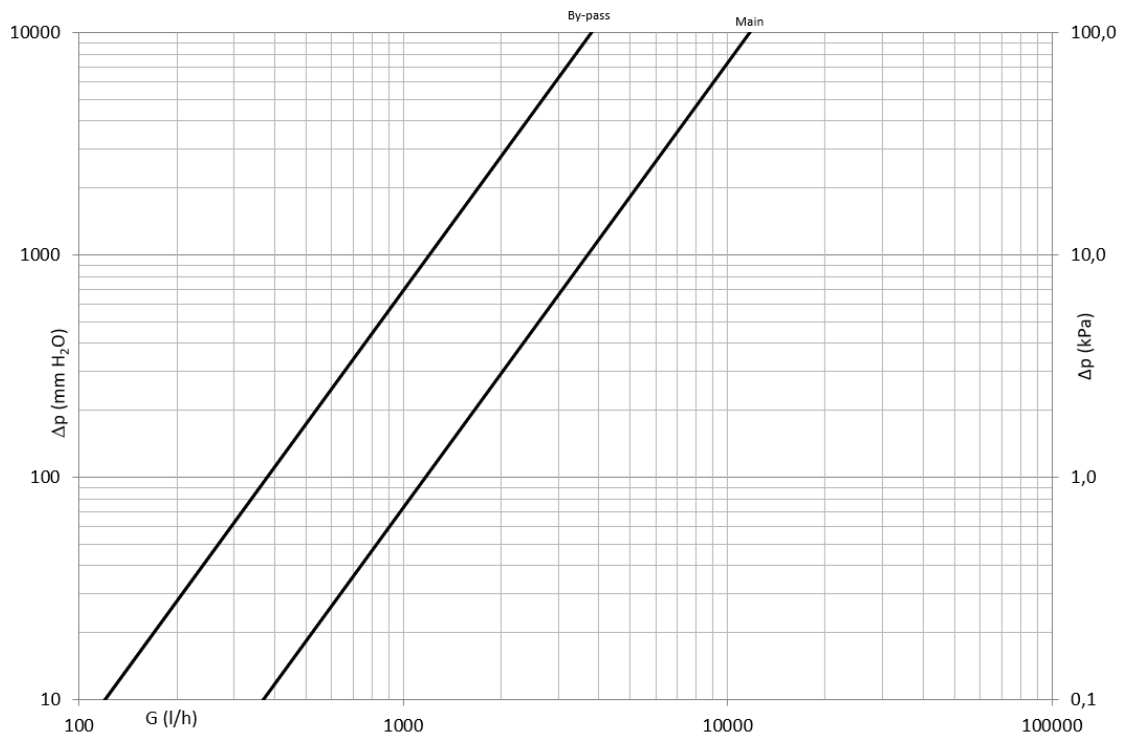
Right-handed assembly – PICV on return



Right handed assembly – PICV on supply



**PRESSURE DROP DIAGRAM**



Dim.	Main way	By-pass
Kv	11.7	3.8
PN	16	

**OPERATING TEMPERATURE**

-10°C - +100°C – no frost

Water and water + glycol 30%

**WARNING**

Kit not compatible with 054H series accessories.