



DESCRIPTION

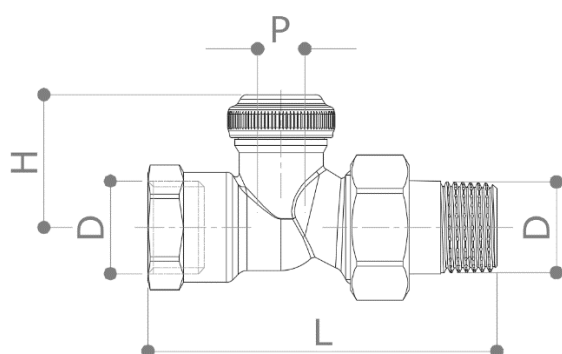
651DIN

Straight micrometric radiator lockshield valve, union tail with sealant film included.

Suitable for radiator drain accessory 99SP.

Female thread. Nickel-plated.

DIMENSIONS



D	3/8"	1/2"	3/4"
H	30	30.5	33
L	75	81	91
P	11	11	13.5
Weight [g]	185	2230	320

Dimensions in mm

All threads are conform to ISO 7 or ISO 228 standards.

MATERIALS

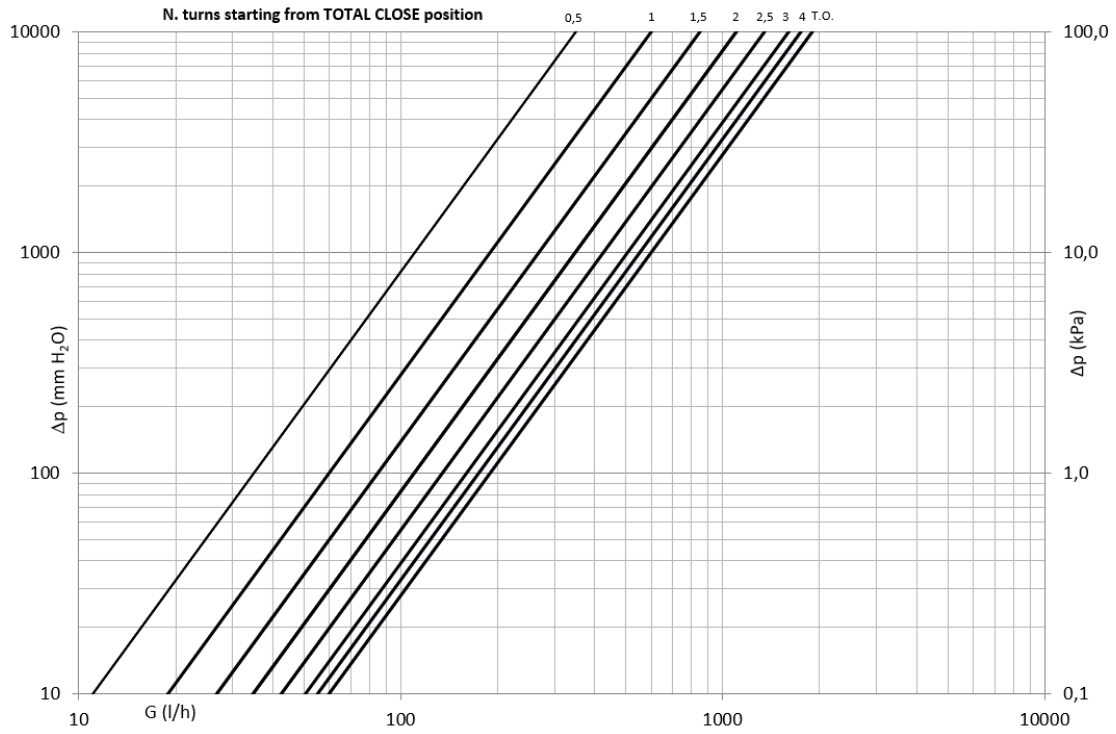
Body	CW617N (EN 12165) CuZn40Pb2
Tail	CW617N (EN 12165) CuZn40Pb2
Nut	CW617N (EN 12165) CuZn40Pb2
O-ring	Cap: NBR / Shutter: EPDM
Shutter	CW614N (EN 12164) CuZn39Pb3
Guide	CW614N (EN 12164) CuZn39Pb3
Cap	CW614N (EN 12164) CuZn39Pb3

RECCOMANDED PRESSURE / TEMPERATURE LIMITS

10 bar - 110°C - non shock

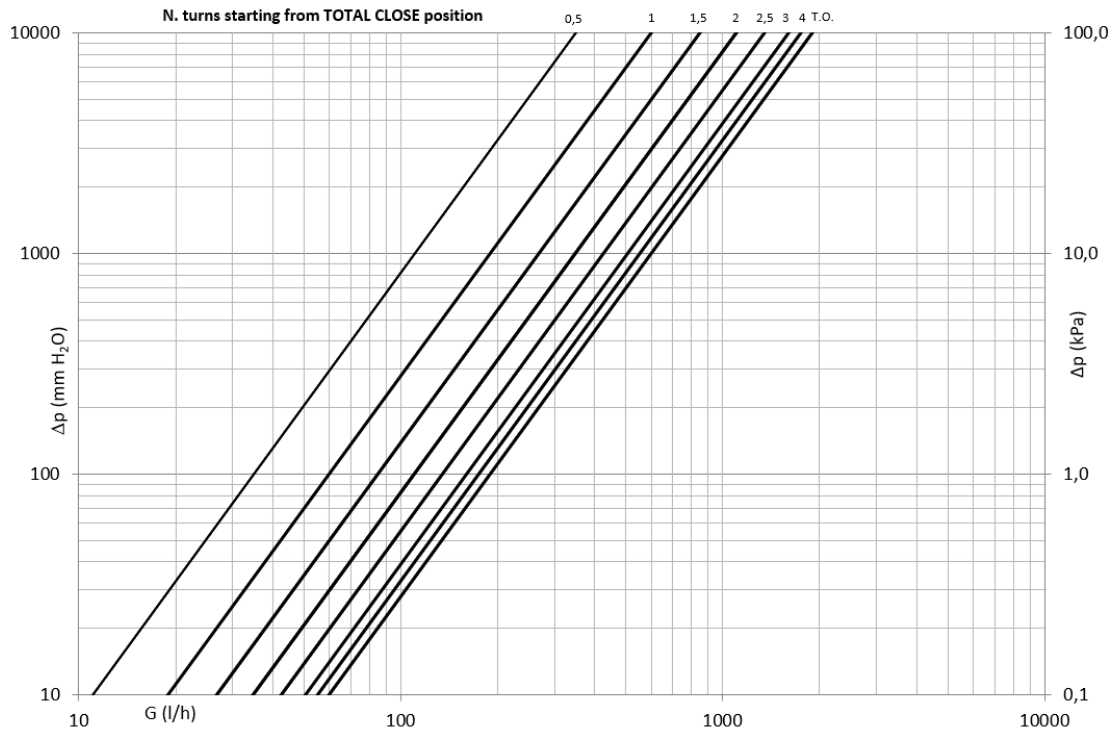
Nominal pressure: 10 bar

PRESSURE DROP DIAGRAM



Turns	0.5	1	1.5	2	2.5	3	4	T.O.
Kv	0.35	0.60	0.85	1.10	1.35	1.60	1.75	1.90

T.O.: Total Open



Turns	0.5	1	1.5	2	2.5	3	4	T.O.
Kv	0.49	0.70	0.95	1.30	1.60	1.95	2.25	2.45

T.O.: Total Open