



DESCRIPTION

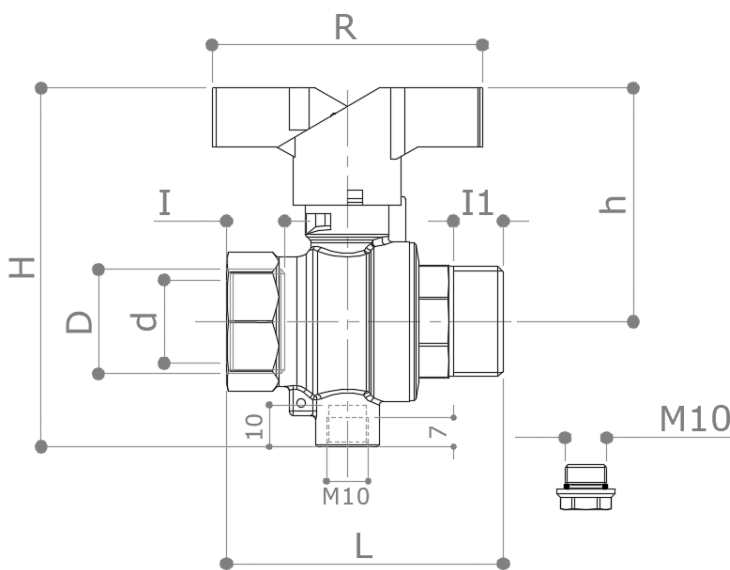
# 52CES1R – 52CES1B

F x M “Extra Compact” full-flow ball valve with female M10 probe housing for temperature sensor; with loop for anti-extraction seal. Nickel plated.

**PROBE AND PROBE HOLDER NOT INCLUDED.**

Red (52CES1R) or blue (52CES1B) aluminium butterfly.

DIMENSIONS

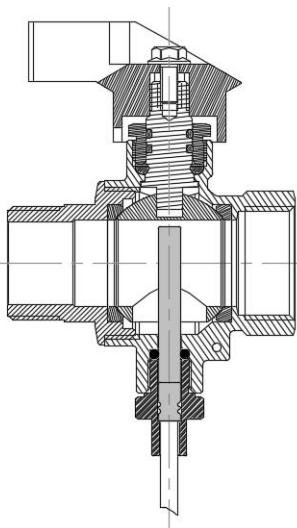
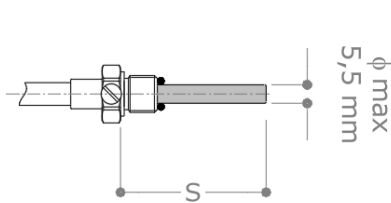


<b>D</b>	¾"	1"
<b>d</b>	20	25
<b>h</b>	55	59.5
<b>H</b>	86	94
<b>I</b>	13	14
<b>I1</b>	12	14
<b>L</b>	66.5	78.5
<b>R</b>	65	65
<b>Weight [g]</b>	315	455

Dimensions in mm

All threads are conform to ISO 7 or ISO 228 standards

Dimensional features of the temperature probe



The drawing beside shows a cut-away of the 52CES1 ball valve with the temperature probe. Please, use only temperature sensors, with own M10 male probe holder, which are conform to the length and diameter limits reported beside.

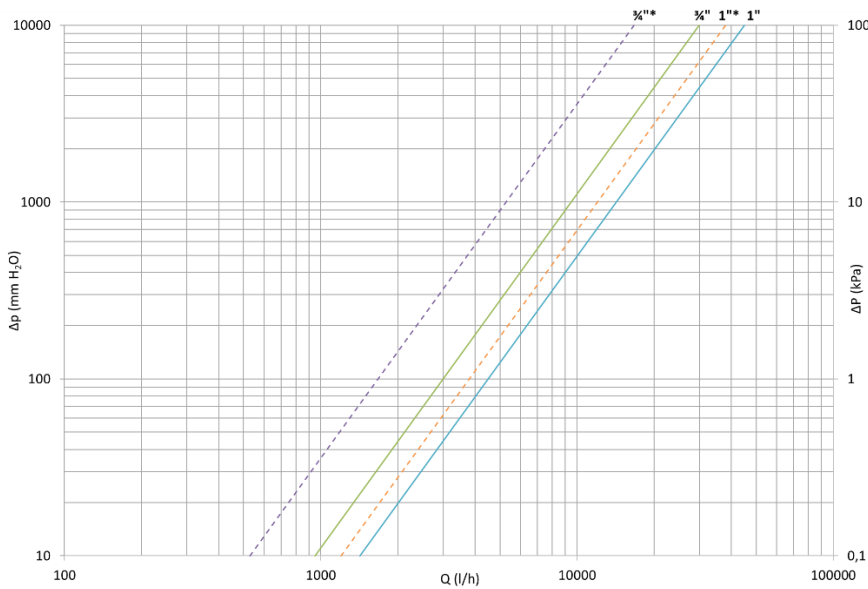
Dim.	S max	S min
½"	40	30
¾"	40	30
1"	45	30
1 ¼"	53	35
1 ½"	62	35

Dimensions in mm

**MATERIALS**

<b>Body</b>	CW617N (EN 12165) CuZn40Pb2	<b>Cap</b>	CW614N (EN 12164) CuZn39Pb3
<b>Ball</b>	CW617N (EN 12165) CuZn40Pb2 Chrome plated	<b>Seat</b>	2 x PTFE + 1 x PTFE seal on the stem
<b>Stem</b>	CW614N (EN 12164) CuZn39Pb3	<b>O-Rings</b>	2 x FKM + 1 x NBR
<b>Stuffing box</b>	CW614N (EN 12164) CuZn39Pb3 adjustable	<b>Handle</b>	Painted aluminium

**PRESSURE DROP DIAGRAM**



Dim.	3/4"*	3/4"	1"*	1"
<b>Kv</b>	16.7	30	38	45
<b>PN</b>	NA	28	NA	28

\*: Kv value of the valve with a suitable temperature sensor (5 mm diameter), represented by the dot line.

The solid curve represents the Kv value of the valve without the temperature sensor.

The nominal pressure with the temperature sensor is not declared because it is influenced by the probe holder type.

**RECOMMENDED WORKING TEMPERATURE/PRESSURE LIMITS**

28 bar – 100°C – non shock  
 -20°C: lower temperature limit with 50% glycol. No frost.