



DESCRIPTION

52CES - 51CES

F x F “Extra Compact” full-flow ball valve with female M10 probe housing for temperature sensor; with loop for anti-extraction seal. Nickel plated.

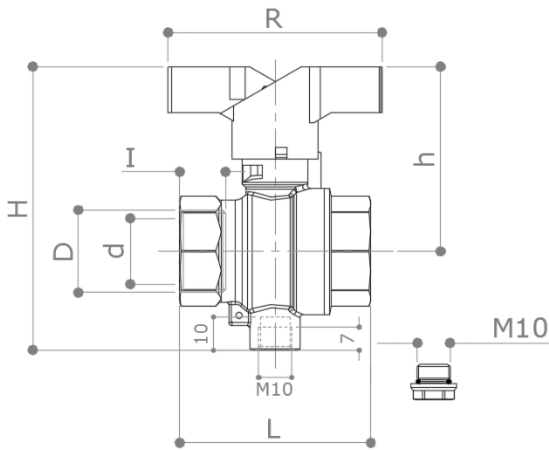
PROBE AND PROBE HOLDER NOT INCLUDED.

Red (52CES) or blue (52CESB) aluminium butterfly.

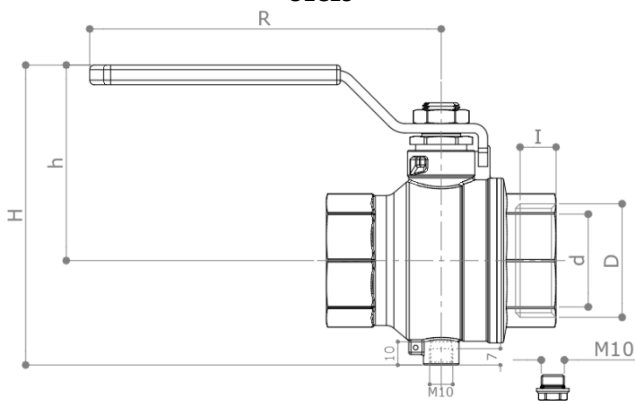
51CES: Article Number of DN40 only, with red steel lever.

DIMENSIONS

52CES



51CES

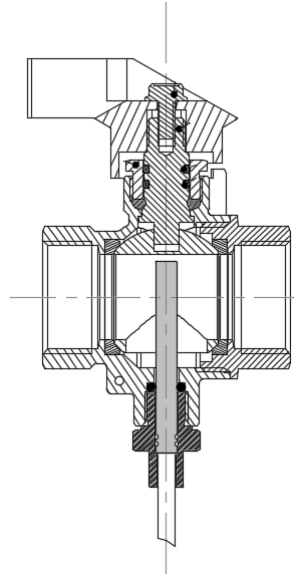
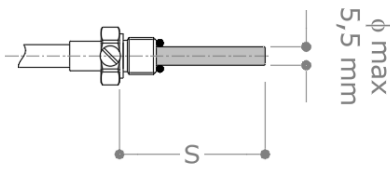


D	½"	¾"	1"	1 ¼"	1 ½"
d	15	20	25	32	40
h	46	55	59.5	70.5	84
H	79	86	94	124	133
I	11	13	14	15.5	15.5
L	47.5	58	73	86	99
R	58	65	65	75	150
Weight [g]	185	285	440	725	1225
Art. N.	52CES	52CES	52CES	52CES	51CES

Dimensions in mm

All threads are conform to ISO 228 standard

Dimensional features of the temperature probe



The drawing beside shows a cut-away of the 52CES/51CES ball valve with the temperature probe. Please, use only temperature sensors, with own M10 male probe holder, which are conform to the length and diameter limits reported beside.

The picture below shows the ball valve with the probe already installed.



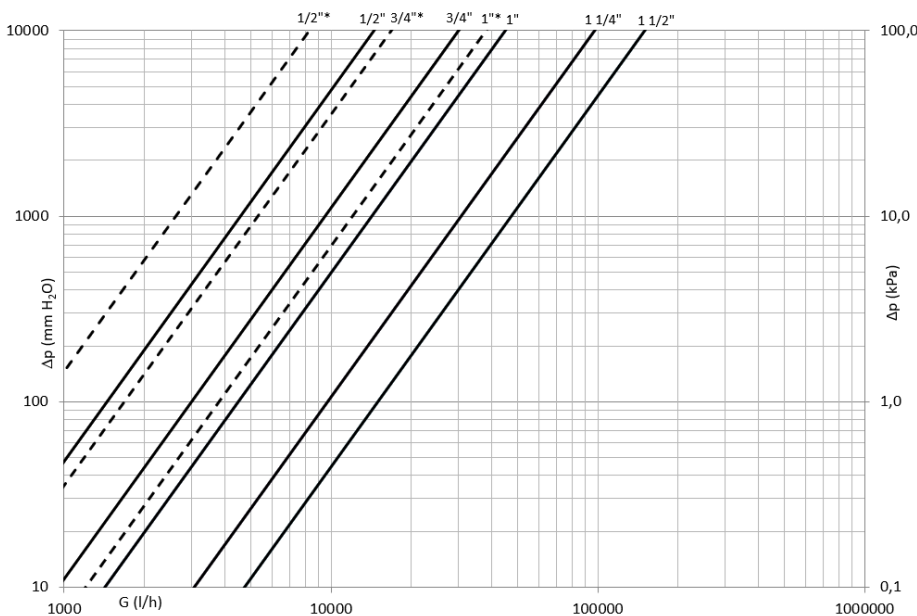
Dim.	S max	S min
1/2"	40	30
3/4"	40	30
1"	45	30
1 1/4"	53	35
1 1/2"	62	35

Dimensions in mm

MATERIALS

Body	CW617N (EN 12165) CuZn40Pb2	Cap	CW614N (EN 12164) CuZn39Pb3
Ball	CW617N (EN 12165) CuZn40Pb2 Chrome plated	Seat	2 x PTFE + 1 x PTFE seal on the stem
Stem	CW614N (EN 12164) CuZn39Pb3	O-Rings	2 x FKM + 1 x NBR
Stuffing box	CW614N (EN 12164) CuZn39Pb3 adjustable	Handle	Painted aluminium

PRESSURE DROP DIAGRAM



Dim.	Kv	PN
1/2"*	8.3	N/A
1/2"	14.5	28
3/4"*	16.7	N/A
3/4"	30	28
1"*	38	N/A
1"	45	28
1 1/4"*	N/A	N/A
1 1/4"	97	20
1 1/2"*	N/A	N/A
1 1/2"	150	20

*: Kv value of the valve with a suitable temperature sensor (5 mm diameter), represented by the dot line.

The solid curve represents the Kv value of the valve without the temperature sensor.

The nominal pressure with the temperature sensor is not declared because it is influenced by the probe holder type.

RECOMMENDED WORKING TEMPERATURE/PRESSURE LIMITS

28 bar – 100°C – non shock
 -20°C: lower temperature limit with 50% glycol. No frost.