



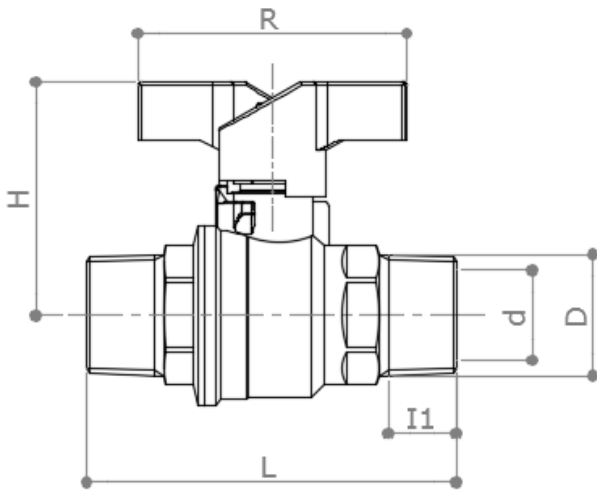
DESCRIPTION

52/2

M x M heavy duty full-flow ball valve with red butterfly handle. Nickel plated.

Conform to **EN 13828**

DIMENSIONS



D	1/4"	3/8"	1/2"	3/4"	1"	1 1/4"
d	10	10	15	20	25	32
H	43	43	46	56	65	71
I1	10	11	15	16	20	21
L	69	71	77	89	103	116
R	58	58	58	65	75	75
Weight [g]	150	150	230	360	630	950

Dimensions in mm

All threads are conform to ISO 7 or ISO 228 standards

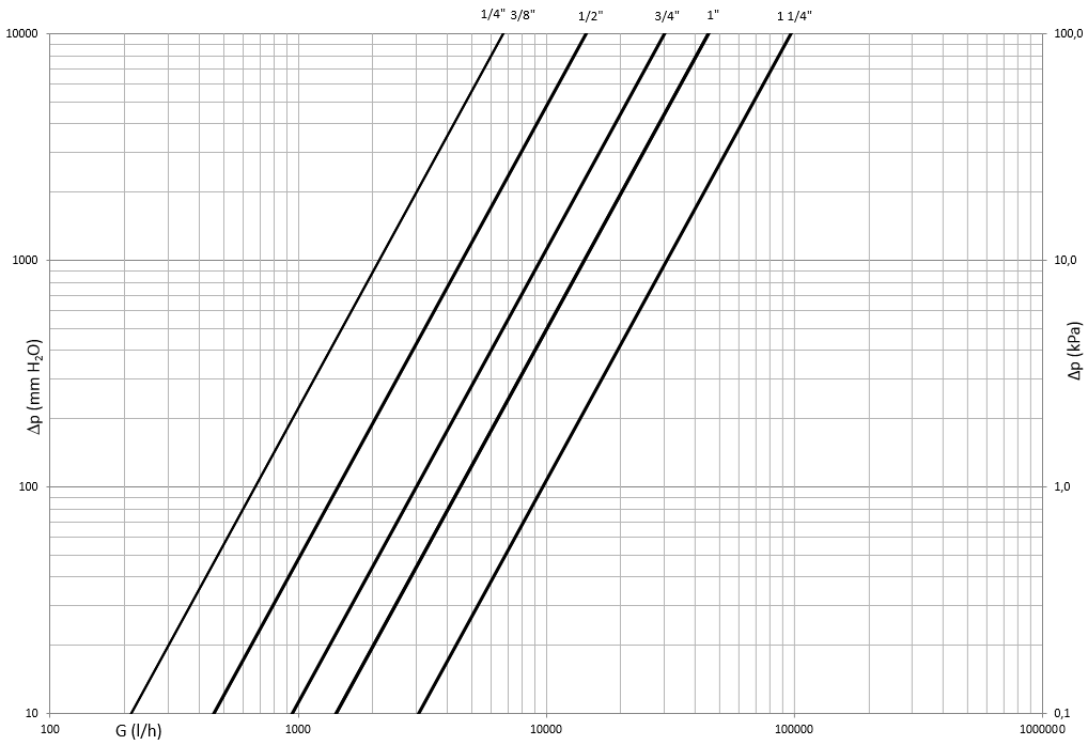
MATERIALS

- Body** CW617N (EN 12165) CuZn40Pb2
- Ball** CW617N (EN 12165) CuZn40Pb2 Chrome plated
- Stem** CW614N (EN 12164) CuZn39Pb3
- Stuffing box** CW614N (EN 12164) CuZn39Pb3 Adjustable
- Seat** 2 x PTFE + 1 x PTFE on the stem
- O-Rings** 2 x FKM
- Lever** Painted aluminum

APPROVALS

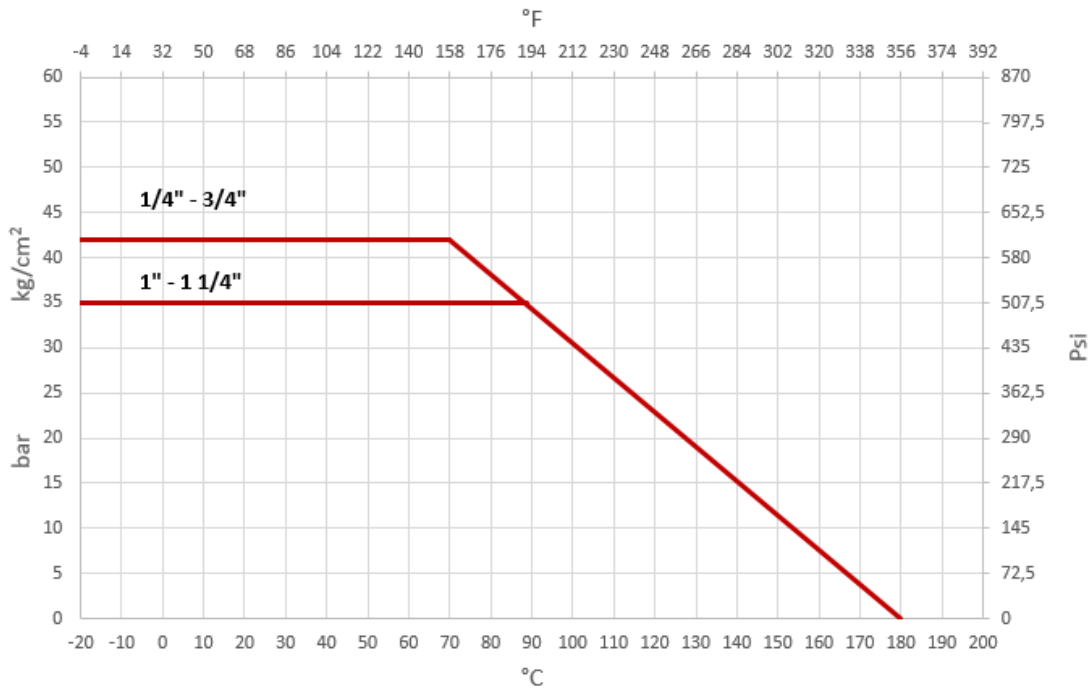


PRESSURE DROP DIAGRAM



Dim.	1/4"	3/8"	1/2"	3/4"	1"	1 1/4"
Kv	6.6	6.7	14.5	30	45	97
PN	42	42	42	42	35	35

TEMPERATURE / PRESSURE DIAGRAM



RECOMMENDED WORKING TEMPERATURE/PRESSURE LIMITS

- 30 bar – 100°C – non shock
- 10 bar – 150°C – non shock