



DESCRIPTION

52MET - 52METR

F x F (free nut, flat seat) ball valve for water meter connection. T.E.A. Plus plated.

Anti-Legionella ball with an additional bore on the bottom to avoid water stagnation between in the space between the ball and the body.

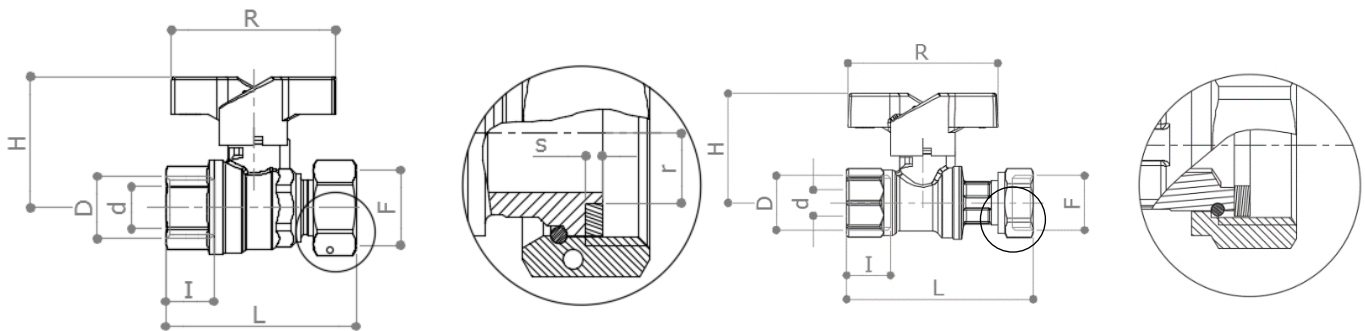
With blue aluminum butterfly handle: **52MET**.

With red aluminum butterfly handle: **52METR**.

Available on demand with green butterfly handle: **52METV**.

Conform to **EN 13828**

DIMENSIONS



Size 1/2" x 1/2"

F x D	1/2" x 1/2"	3/4" x 1/2"	3/4" x 3/4"	1" x 3/4"	1" x 1"
d	10	15	15	20	20
H	42	46	46	56	56
I	17	18	18	18	21.5
L	70	67	67	85	90
R	58	58	58	65	65
r	-	8.3	8.3	11.3	11.3
s	-	2	2	2	2
Weight [g]	180	240	240	405	430

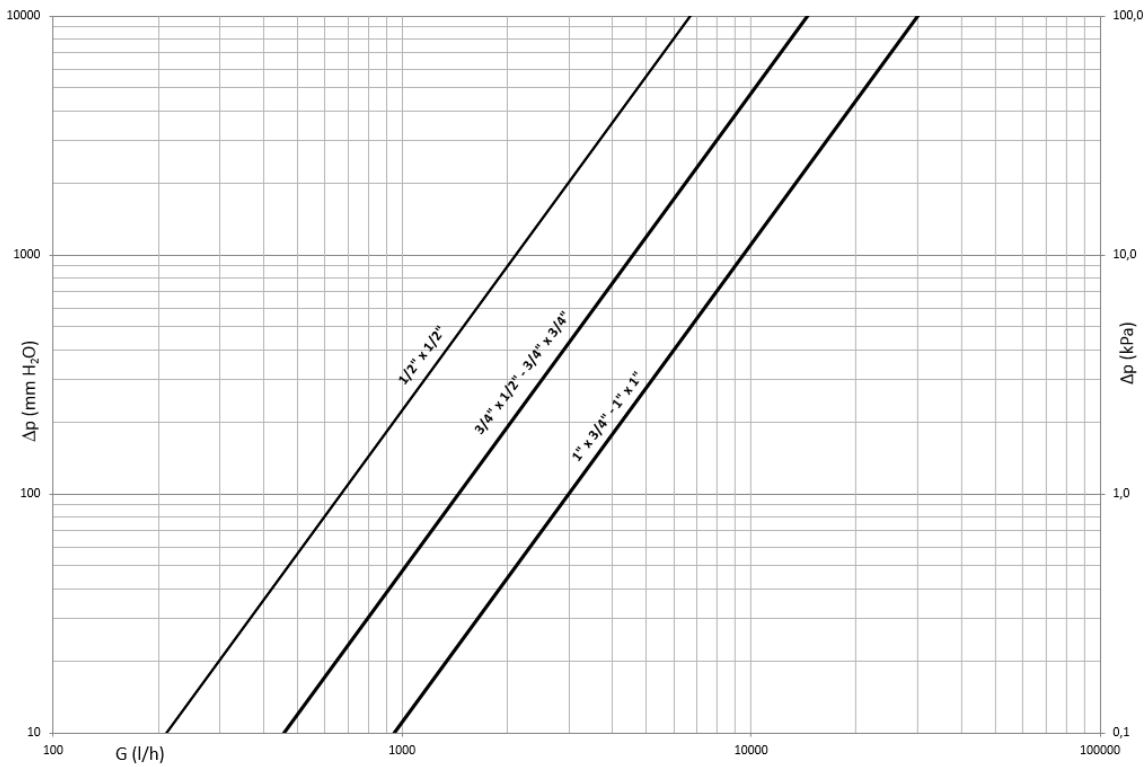
Dimensions in mm

All threads are conform to ISO 7 or ISO 228 standards

MATERIALS

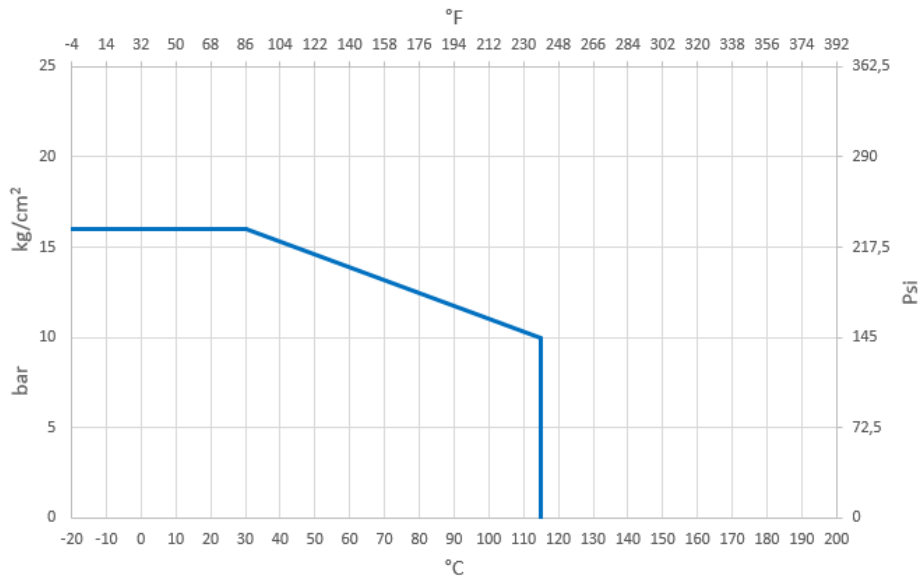
- Body** CW617N (EN 12165) CuZn40Pb2 T.E.A. Plus plated
- Ball** CW617N (EN 12165) CuZn40Pb2 T.E.A. Plus plated
- Stem** CW614N (EN 12164) CuZn39Pb3
- Stuffing box** CW614N (EN 12164) CuZn39Pb3 Adjustable
- Nut** CW617N (EN 12165) CuZn40Pb2 T.E.A. Plus plated
- Seat** 2 x PTFE + 1 x PTFE seal on the stem
- O-Rings** 2 x FKM
- Nut seal** 1 x EPDMX / EPDM / Fibre
- Handle** Aluminum

PRESSURE DROP DIAGRAM



Model	1/2" x 1/2"	3/4" x 1/2"	3/4" x 3/4"	1" x 3/4"	1" x 1"
Kv	6.7	14.5	14.5	30	30
PN	16	16	16	16	16

TEMPERATURE / PRESSURE DIAGRAM



RECOMMENDED WORKING TEMPERATURE/PRESSURE LIMITS

10 bar – 115°C – non shock

APPROVALS



(3/4" x 1/2" and 3/4" x 3/4" up to PN10)

