



DESCRIPTION

51CRF

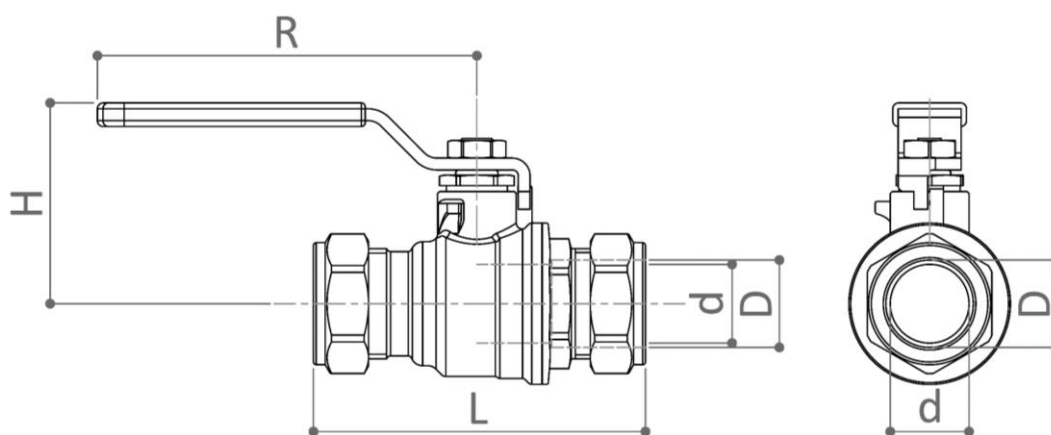
Compression ends heavy duty full-flow ball valve made of corrosion resistant brass (ADZ or DZR). Compression ends comply BS864.2 – EN1254-2 standards. Nickel plated.

For copper and soft steel pipes.

Available in the version with white steel handle (**51CRFW**) or red steel handle (**51CRFR**).

Conform to **EN13828**.

DIMENSIONS



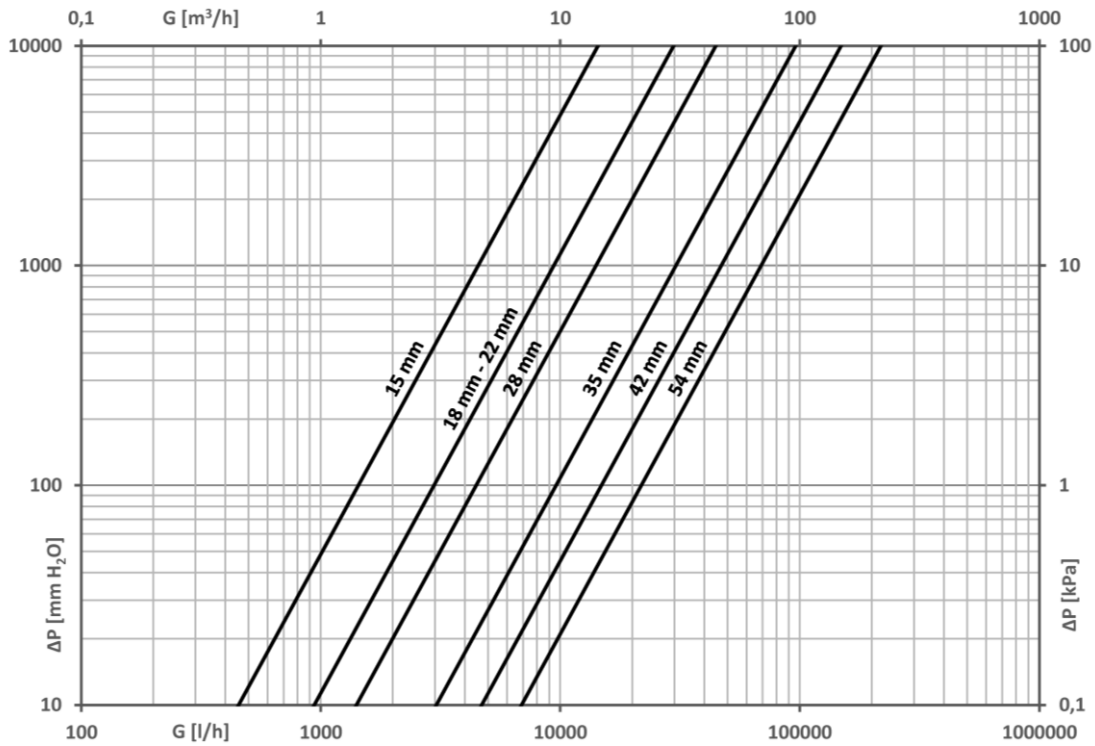
Dimensions in mm

D	d	H	L	R	Weight [g]
15 mm	15	39	74	75	240
18 mm	20	49	84.5	95	380
22 mm	20	49	84.5	95	410
28 mm	25	61	91	120	660
35 mm	32	66	106	120	1000
42 mm	40	82	127	150	1370
54 mm	50	89	149	150	2560

MATERIALS

- Body** CW602N (UNI EN 12167) CuZn39Pb2As Nickel plated
- Ball** CW602N (UNI EN 12167) CuZn39Pb2As Chrome plated
- Stem** CW602N (UNI EN 12167) CuZn39Pb2As
- Stuffing box** CW614N (UNI EN 12164) CuZn39Pb3 Adjustable
- Compression ends** CW602N (UNI EN 12167) CuZn39Pb2As Nickel plated
- Seats** 2 x PTFE on the ball + 1 x PTFE on the stem
- O-rings** 2 x FKM on the stem
- Handle** Delta Protect coated steel. PVC grip with “Pad Printing”

PRESSURE DROP DIAGRAM



Size	15 mm	18 mm	22 mm	28 mm	35 mm	42 mm	54 mm
Kv	14.5	30	30	45	97	150	220
PN	16	16	16	16	16	16	16

RECOMMENDED WORKING TEMPERATURE / PRESSURE LIMITS

16 bar – 30°C – non shock
 6 bar – 110°C – non shock
 Lower temperature limit with 50% glycol: -20°C. No frost.

APPROVALS



NSF

- Approval valid only for the **51CRFW** model from 15 mm to 28 mm