



DESCRIPTION

184GO

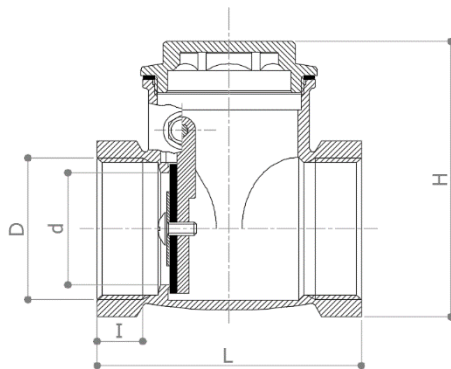
Brass swing check valve F x F rubber disc.

DIMENSIONS

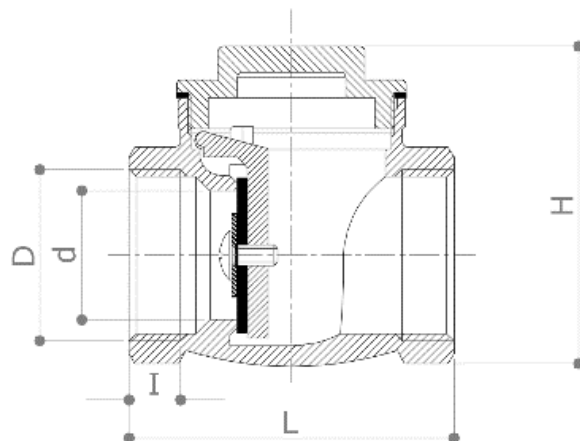
D	½"	¾"	1"	1 ¼"	1 ½"	2"	2 ½"	3"	4"
d	15	20	25	30	35	47	55	70	90
H	50	63	69	82	92	94	107	130	159
I	10	10	12	12	12	11	16	16	20
L	48	58	70	81	88	97	118	135	164
Weight [g]	200	330	490	490	890	1040	1590	2440	3850

Dimensions in mm

All threads are conform to ISO 7 or ISO 228 standards



Sizes ½" – 1 ½"



Sizes 2" – 4"

MATERIALS

Body	CW617N (UNI EN 12165) CuZn40Pb2
Cap	CW617N (UNI EN 12165) CuZn40Pb2
Disc	CW617N (UNI EN 12165) CuZn39Pb3
Disc seal	NBR
Cap seal	Fiber
Screw	CW614N (UNI EN 12164) CuZn40Pb2
Washer	Steel AISI 304

APPROVALS

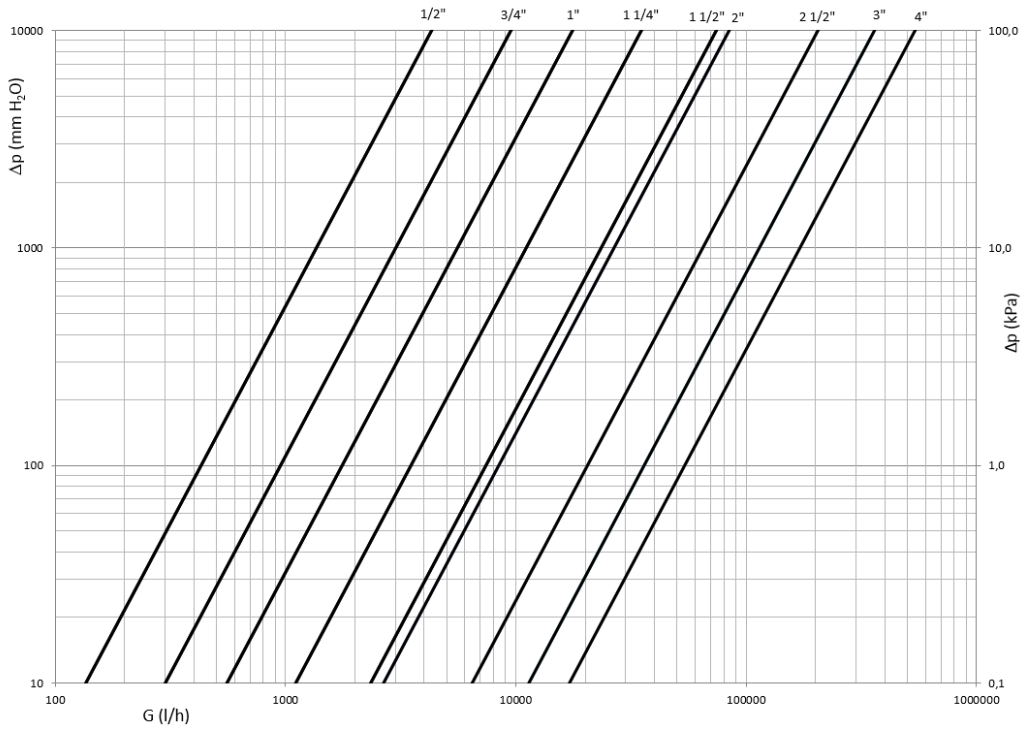


RECCOMENDED WORKING PRESSURE / TEMPERATURE LIMITS

10 bar – 100°C – non shock (1/2" – 2")

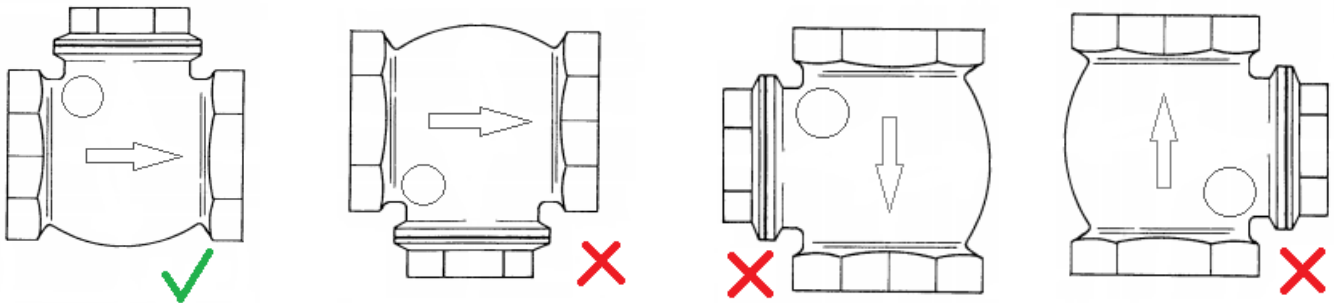
6 bar – 100°C – non shock (2 ½" – 4")

PRESSURE DROP DIAGRAM



Dim.	1/2"	3/4"	1"	1 1/4"	1 1/2"	2"	2 1/2"	3"	4"
Kv	4.3	9.5	17.6	35	74	83	204	360	540
PN	10	10	10	10	10	10	6	6	6

EXAMPLE OF INSTALLATION



Installation on horizontal pipes is mandatory. The cap must be directed upward.