



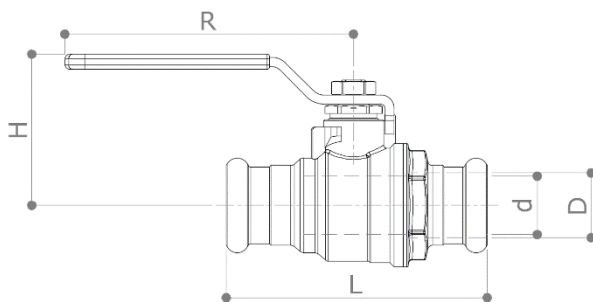
DESCRIPTION

P100M

Press x Press heavy duty full-flow ball valve made by non dezincifiable alloy.
Reversible green steel handle.

Conform to **EN 13828** and **EN 1254/7** standards

DIMENSIONS



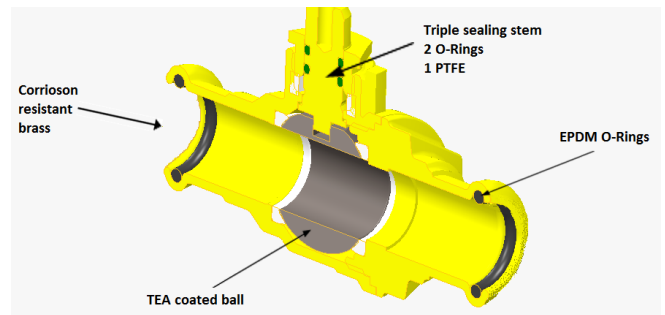
D	42	54
d	40	50
H	81	91
L	123	156
R	150	150
Pressing profile	M*	M*
Weight [g]	1355	2050

Dimensions in mm

*V pressing profile available with the product **P100**

MATERIALS

- Body** CW511L (UNI EN 12165) CuZn38As TEA coated
- Ball** CW617N (UNI EN 12165) CuZn40Pb2 TEA coated
- Stem** CW602N (UNI EN 12164) CuZn36Pb2
- Stuffing box** CW614N (UNI EN 12164) CuZn39Pb3
- Seats** 2 x PTFE + 1 x PTFE on the stem
- O-Rings** 2 x FKM + 2 x EPDM end connections
- Handle** Delta Protect coated steel. PVC grip with "Pad printing"



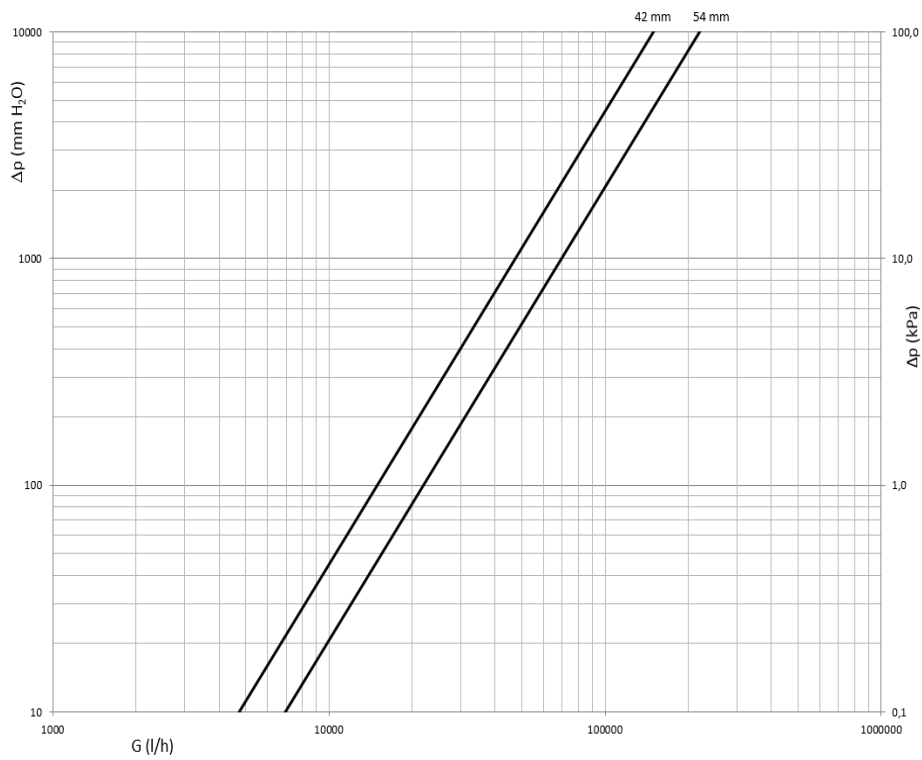
RECOMMENDED WORKING TEMPERATURE/PRESSURE LIMITS

- 16 bar – 30°C – non shock
- 10 bar – 95°C – non shock

APPROVALS



PRESSURE DROP DIAGRAM



Dim.	42	54
Kv	150	220
PN	16	16

PRESSURE/TEMPERATURE DIAGRAM

