

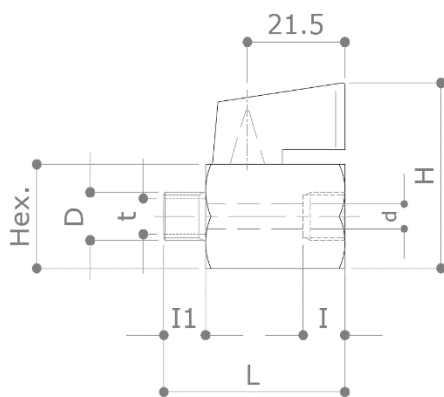
DESCRIPTION

# 377

F x M chrome plated mini ballvalve.  
Black lever

Conform to **EN 13828**

DIMENSIONS



D	1/8"	1/4"	3/8"	1/2" f. 12 mm	1/2" f. 15 mm	3/4"
Hex.	20	20	20	24	24	30
d	8	8	8	10	10	13
H	37	37	37	41	41	47
t	6	8	12	12	15	18
l	10	10	10	12	12	12
l1	8	9	10	12	12	14
L	39	40	40	45	45	51
Weight [g]	70	70	70	105	105	170

Dimensions in mm

All threads are conform to ISO 7 or ISO 228 standard

MATERIALS

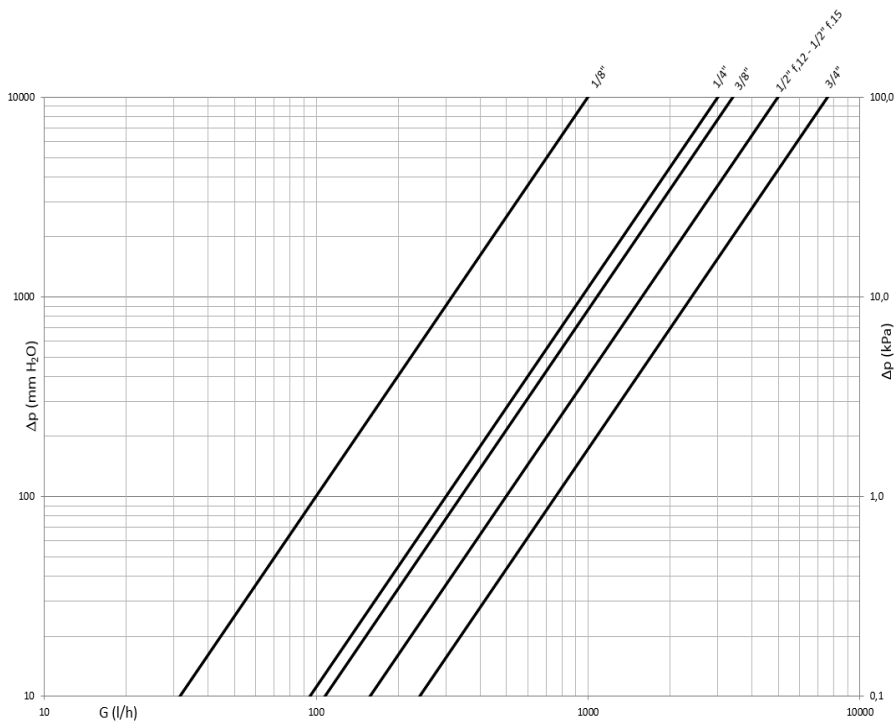
- Body** CW617N (EN 12165) CuZn40Pb2
- Ball** CW617N (EN 12165) CuZn40Pb2 Chrome plated
- Stem** CW617N (EN 12165) CuZn40Pb2
- Stuffing box** CW617N (EN 12165) CuZn40Pb2
- Seat** 1 x PTFE
- O-Rings** EPDM - PEROX
- Handle** ABS (steel for size 3/4")

RECOMMENDED WORKING TEMPERATURE/PRESSURE LIMITS

10 bar

-10°C (no frost) - +70°C (+90°C peak)

PRESSURE DROP DIAGRAM



Dim.	1/8"	1/4"	3/8"	1/2" f.12	1/2" f.15	3/4"
Kv	1	3	3.4	5	5	7.6
PN	10	10	10	10	10	10