



DESCRIPTION

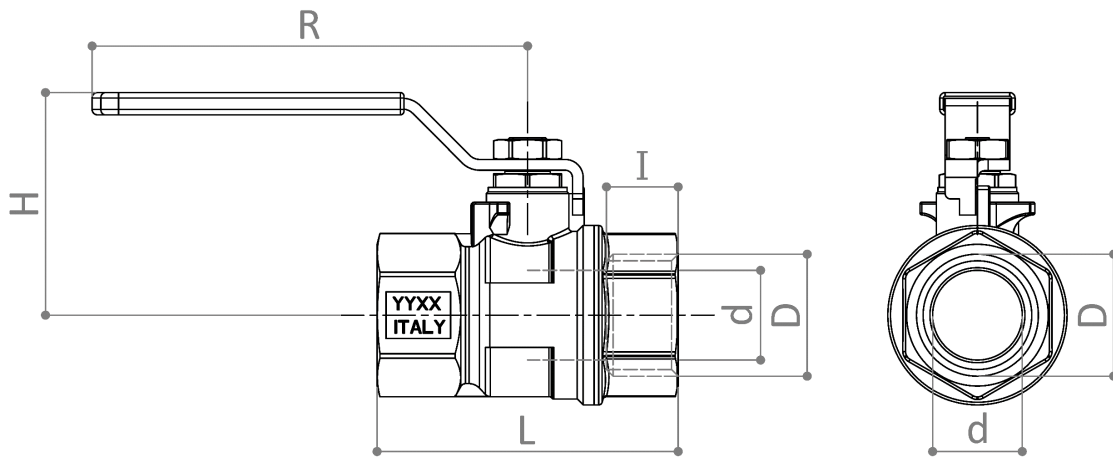
G61

F x F full flow ball valve for gases (natural gas, methane, ethane, propane, butane and GPL).

Nickel plated body and reversible yellow steel handle.

Conform to EN331 e NF ROB-GAZ standards excluding 3/4\".

DIMENSIONS



Dimensions in mm – All threads are conform to ISO 7 or ISO 228 standards

D	d	H	L	R	I	Weight [g]	PN [bar]
1/2"	15	39	62	75	17	230	5
3/4"	20	49	69	95	18	370	5
1"	25	61	84	120	21.5	660	5
1 1/4"	32	66	96	120	23.5	970	5
1 1/2"	40	82	106	150	23.5	1360	5
2"	50	89	127	150	28	2160	5

MATERIALS

- Body** CW617N (UNI EN 12165) CuZn40Pb2 Nichel plated
- Ball** CW617N (UNI EN 12165) CuZn40Pb2 Chrome plated
- Stem** CW614N (UNI EN 12164) CuZn39Pb3
- Stuffing box** CW614N (UNI EN 12164) CuZn39Pb3
- Seat** 2 x PTFE on the ball + 1 x PTFE on the stem
- O-rings** 2 x FKM on the stem
- Handle** DeltaProtekt coated steel. PVC grip with "Pad printing".

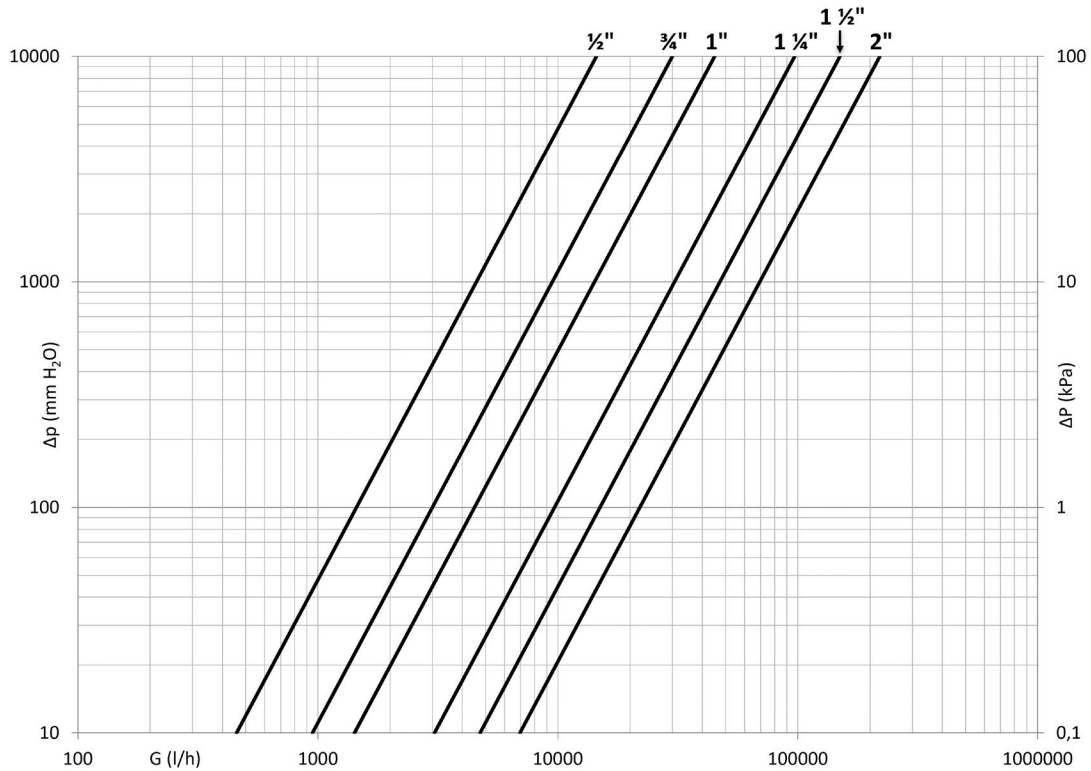
APPROVALS



NF ROB-GAZ (Not applicable for 3/4" size)

- Standards NF E-29-141 (08-99) and NF EN 331 (11-98). Certificate n° ROB 004 dated 22/06/2023

PRESSURE DROP DIAGRAM



Size	1/2"	3/4"	1"	1 1/2"	1 1/4"	2"
Kv	14.5	30	45	97	150	220
PN	5	5	5	5	5	5

RECOMMENDED WORKING TEMPERATURE / PRESSURE LIMITS

5 bar – Minimum temperature -20°C, Maximum temperature 60°C