



DESCRIPTION

# G52

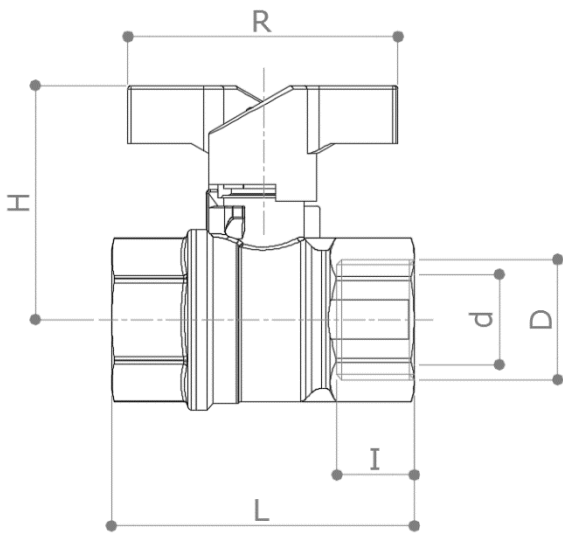
F x F heavy duty full-flow ball valve. For gases (natural gas, methane, ethane, propane, butane, GPL).

Nickel plated.

Yellow butterfly handle.

Conform to **EN 331**

DIMENSIONS



D	¼"	3/8"	½"	¾"	1"	1 ¼"
d	10	10	15	20	25	32
H	43	43	46	56	65	71
I	11.5	12	17	18	21.5	23.5
L	46	47	62	69	84	96
R	58	58	58	65	75	75
PN	8	8	8	8	8	8
Weight [g]	150	140	220	360	640	990

Dimensions in mm

All threads are conform to ISO 7 or ISO 228 standards

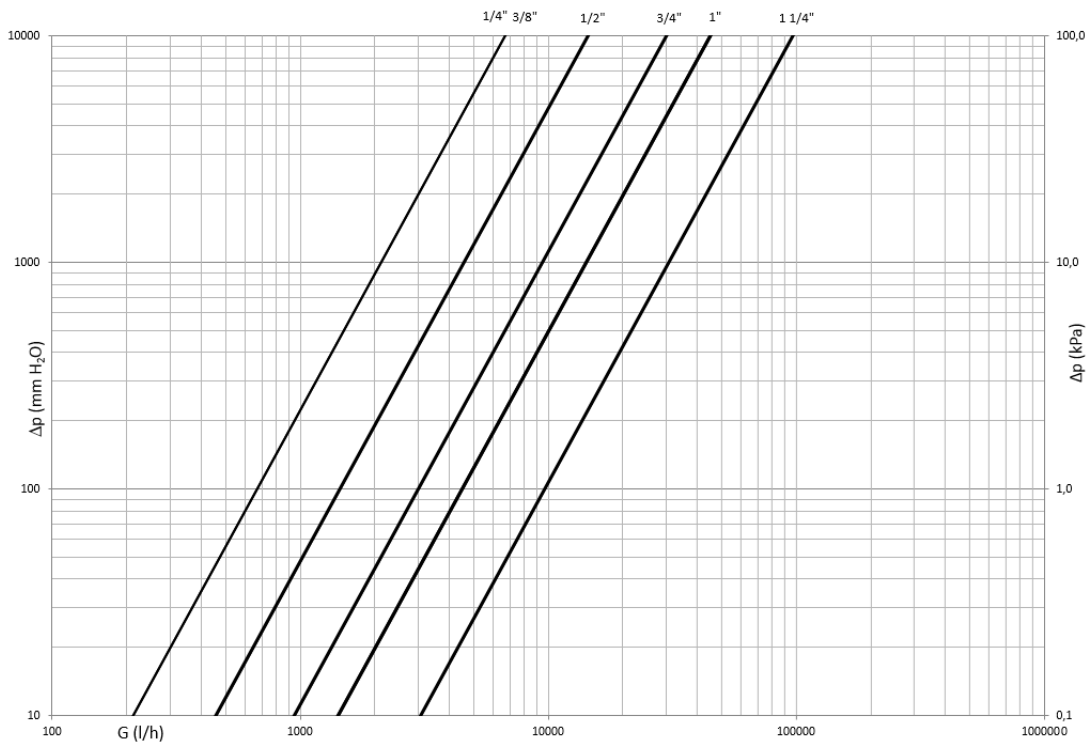
MATERIALS

- Body** CW617N (EN 12165) CuZn40Pb2
- Ball** CW617N (EN 12165) CuZn40Pb2 Chrome plated
- Stem** CW614N (EN 12164) CuZn39Pb3
- Stuffing box** CW614N (EN 12164) CuZn39Pb3
- Seat** 2 x PTFE + 1 x PTFE on the stem
- O-Rings** 2 x FKM
- Lever** Painted aluminum

APPROVALS

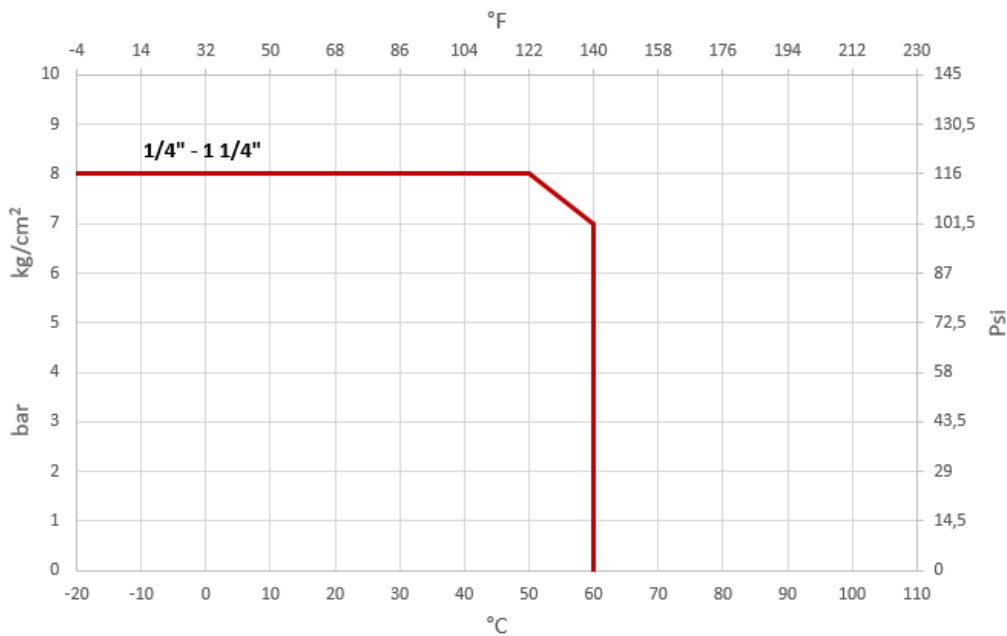


PRESSURE DROP DIAGRAM



Dim.	1/4"	3/8"	1/2"	3/4"	1"	1 1/4"
Kv	6.6	6.7	14.5	30	45	97

TEMPERATURE / PRESSURE DIAGRAM



Working temperature: -20°C - + 60°C