



DESCRIPTION

G51

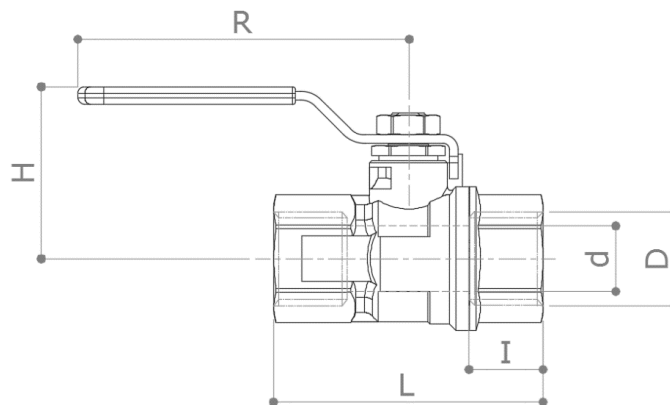
F x F heavy duty full-flow ball valve. For gases (natural gas, methane, ethane, propane, butane, GPL).

Nickel plated.

Reversible yellow steel handle.

Conform to **EN 331** standard

DIMENSIONS



D	¼"	3/8"	½"	¾"	1"	1 ¼"	1 ½"	2"	2 ½"	3"	4"
d	10	10	15	20	25	32	40	50	63	76	100
H	36	36	39	49	61	66	82	89	120	135	150
I	11.5	12	17	18	21.5	23.5	23.5	28	32	34.5	42
L	46	47	62	69	84	96	106	127	154	180	220
R	75	75	75	95	120	120	150	150	200	200	250
PN	8	8	8	8	8	8	8	8	5	5	5
Weight [g]	145	145	230	370	660	1000	1380	2220	3860	5940	11300

Dimension in mm

All threads are conform to ISO 7 or ISO 228 standards

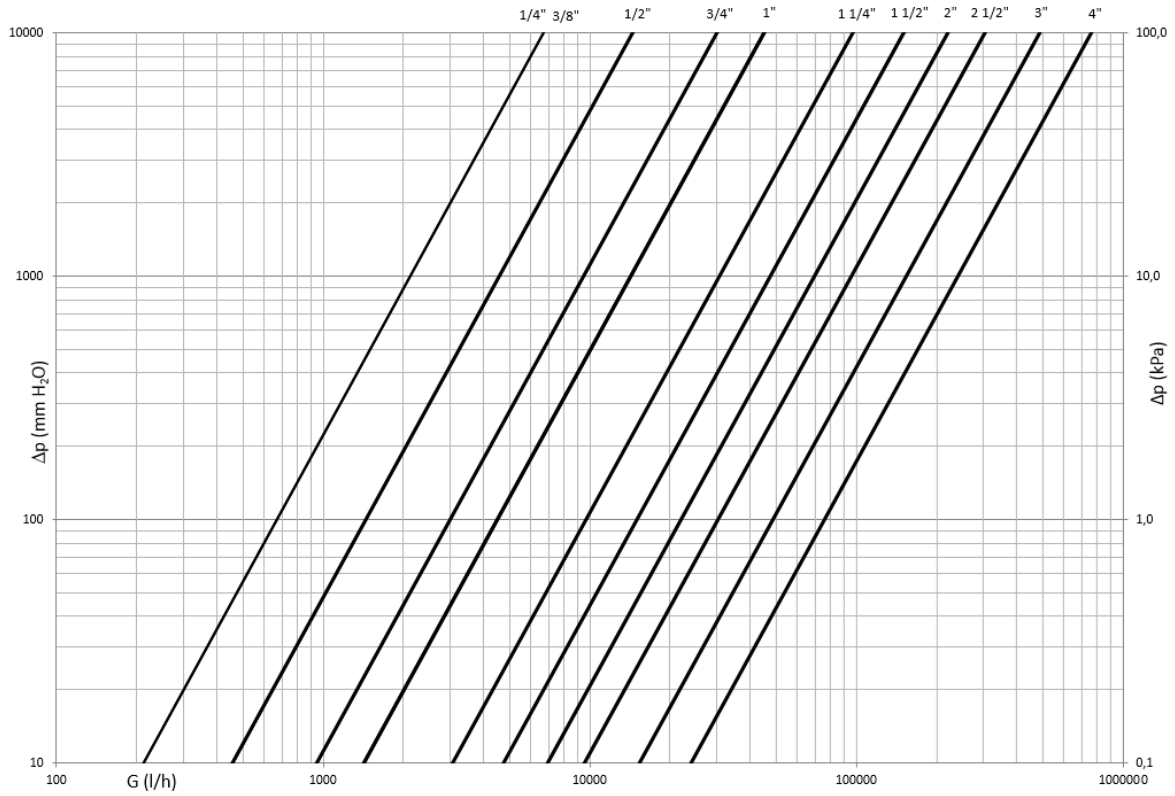
MATERIALS

- Body** Brass CW617N (DIN 50930 part.6) CuZn40Pb2
- Ball** Brass CW617N (DIN 50930 part.6) CuZn40Pb2 Chrome plated
- Stem** Brass CW614N (DIN 50930 part.6) CuZn39Pb3
- Gland** Brass CW614N (DIN 50930 part.6) CuZn39Pb3
- Seat** 2 x PTFE
- O-rings** 2 x NBR PTFE packing
- Lever** Galvanised steel PVC grip with "Pad Printing"

APPROVALS

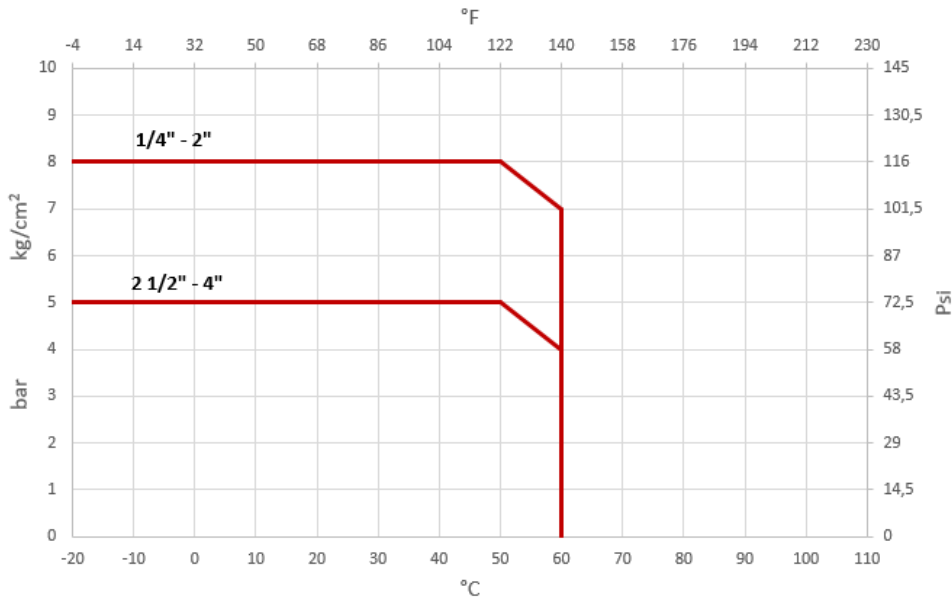


PRESSURE DROP DIAGRAM



Dim.	1/4"	3/8"	1/2"	3/4"	1"	1 1/4"	1 1/2"	2"	2 1/2"	3"	4"
Kv	6.6	6.7	14.5	30	45	97	150	220	302	486	758

TEMPERATURE / PRESSURE DIAGRAM



Working temperature: -20°C - + 60°C