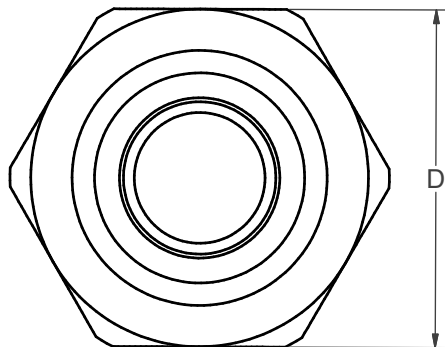
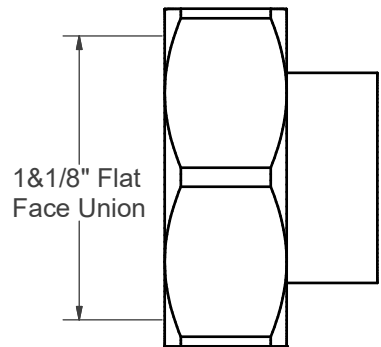
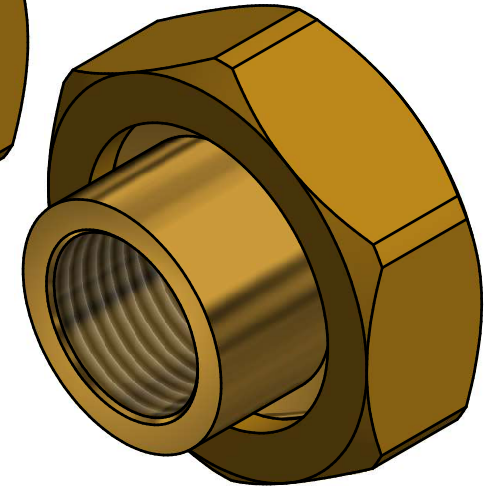
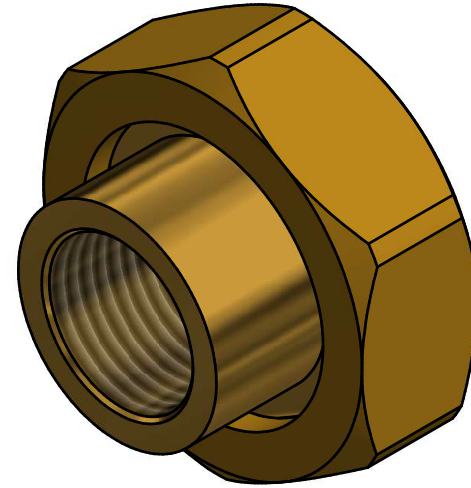
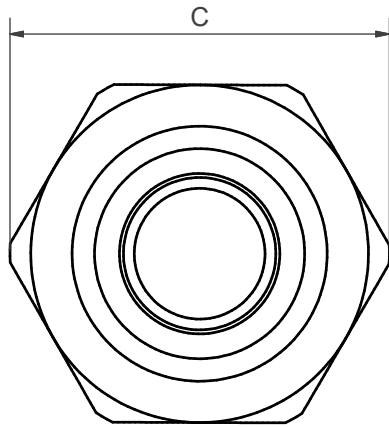
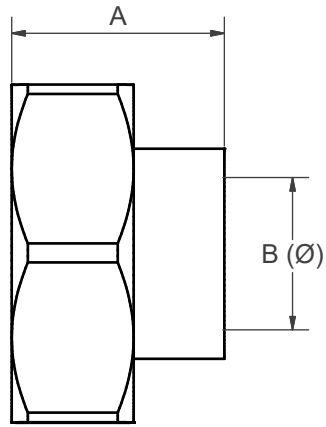


Dimensions			
A	B	C	D
27	1/2" Female BSP	47	42



Material: EN CW617N Brass

O ring: - FKM

Revision	A	Issued	07/04/2021
----------	---	--------	------------

Discription
XTE Fitting Kit, for 70mm bypass, 1 1/8" union to 1/2" Female BSP

 PETTINAROLI UK LTD RIVERSIDE UNIT K AUSTIN WAY, HAMSTEAD IND. ESTATE, BIRMINGHAM, B42 1DU. TEL: 0121 358 2012	Drawing No. XTEFK-7B4		All Dim's in mm, General Tolerances Unless Stated. Dim's in Whole Units Toleranced $\pm 2.00\text{mm}$ Per Joint. Assembly To Be Leak Tested Underwater To 6 Bar Air.
	Drawn By AC	Sheet No 1 of 1	