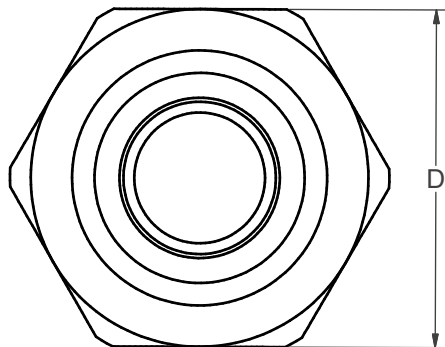
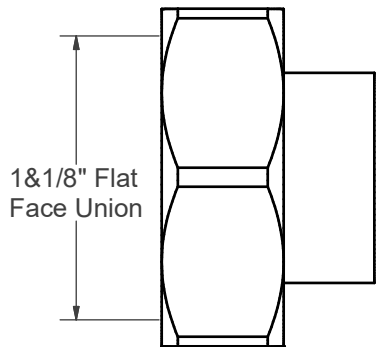
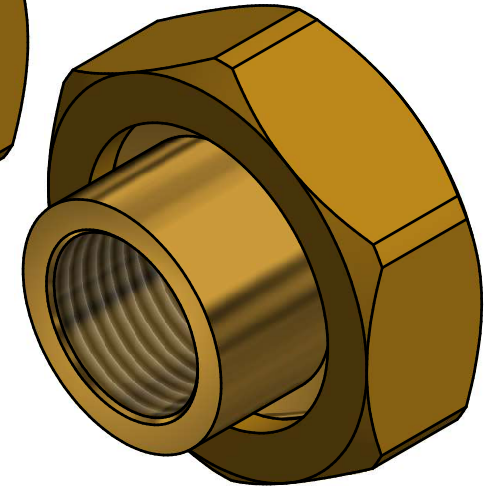
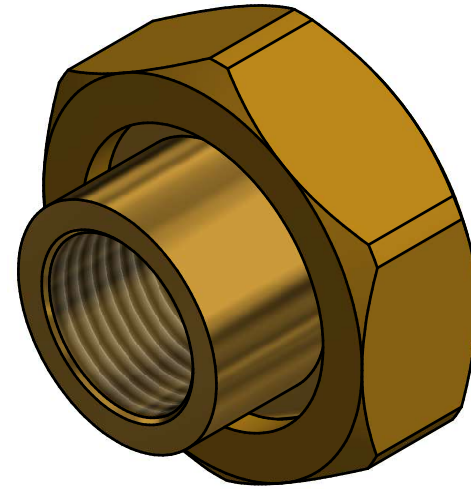
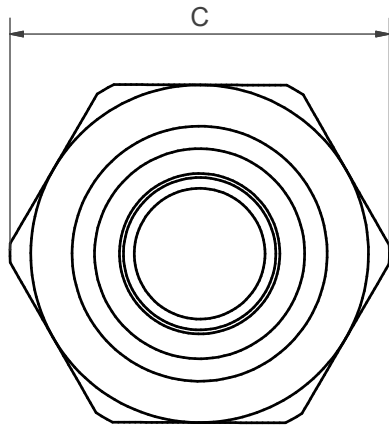
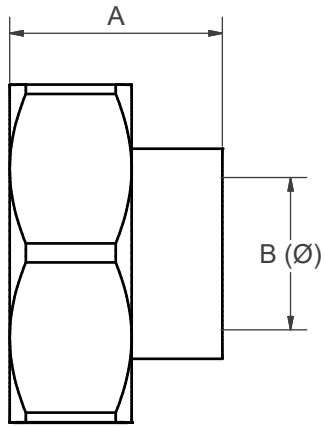


Dimensions			
A	B	C	D
27	1/2" Female BSP	47	42



Material: EN CW617N Brass

Washer: -EPDM

Revision	A	Issued	07/04/2021
----------	---	--------	------------

Discription
XTE Fitting Kit, for 80mm bypass, 1 1/8" union to 1/2" Female BSP

PETTINAROLI
UK
PETTINAROLI UK LTD
RIVERSIDE UNIT K
AUSTIN WAY, HAMSTEAD IND. ESTATE,
BIRMINGHAM,
B42 1DU. TEL: 0121 358 2012

Drawing No.	XTEFK-4B4		
Drawn By	AC	Sheet No	1 of 1
All Dim's in mm, General Tolerances Unless Stated. Dim's in Whole Units Toleranced ± 2.00mm Per Joint. Assembly To Be Leak Tested Underwater To 6 Bar Air.			