



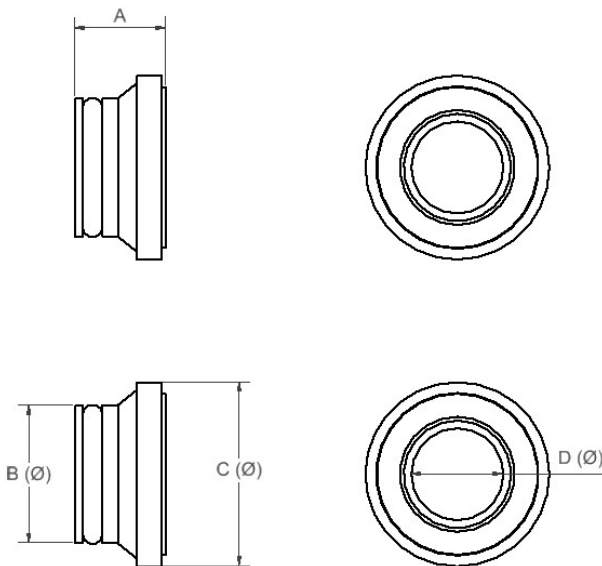
DESCRIPTION

NXFK-FUA-06-S

Pair of 3/4" adapter rings to convert euroconus fitting to flat face male. Includes rubber washers.

Compatible with all Pettinaroli Euro-cone and BS5200 60° connections as found on the standard Pettinaroli UK 40mm assembly sets (Coil and Mains).

DIMENSIONS



A	11.9
B	18
C	24
D	12
Weight [g]	TBC

Dimensions in mm

MATERIALS

Body CW617N (EN 12165) CuZn40Pb2

O-Ring EPDM

RECOMMENDED WORKING TEMPERATURE/PRESSURE LIMIT

30 bar – 100°C – non shock

Max closing torque: 40 Nm (cone 60° BS5200)